

©Copyright Xandex Inc., All Rights Reserved.
 The information disclosed herein is deemed to be confidential, proprietary, and a trade secret of Xandex, Inc. This information may not be used, reproduced or disclosed without the express prior written consent of Xandex, Inc.

REVISIONS

REV	DESCRIPTION	CHANGE NUMBER	BY	DATE	APPROVED
E	UPDATE TITLE BLOCK	4366	MRW	11/30/17	<i>JB</i>

NOTES:

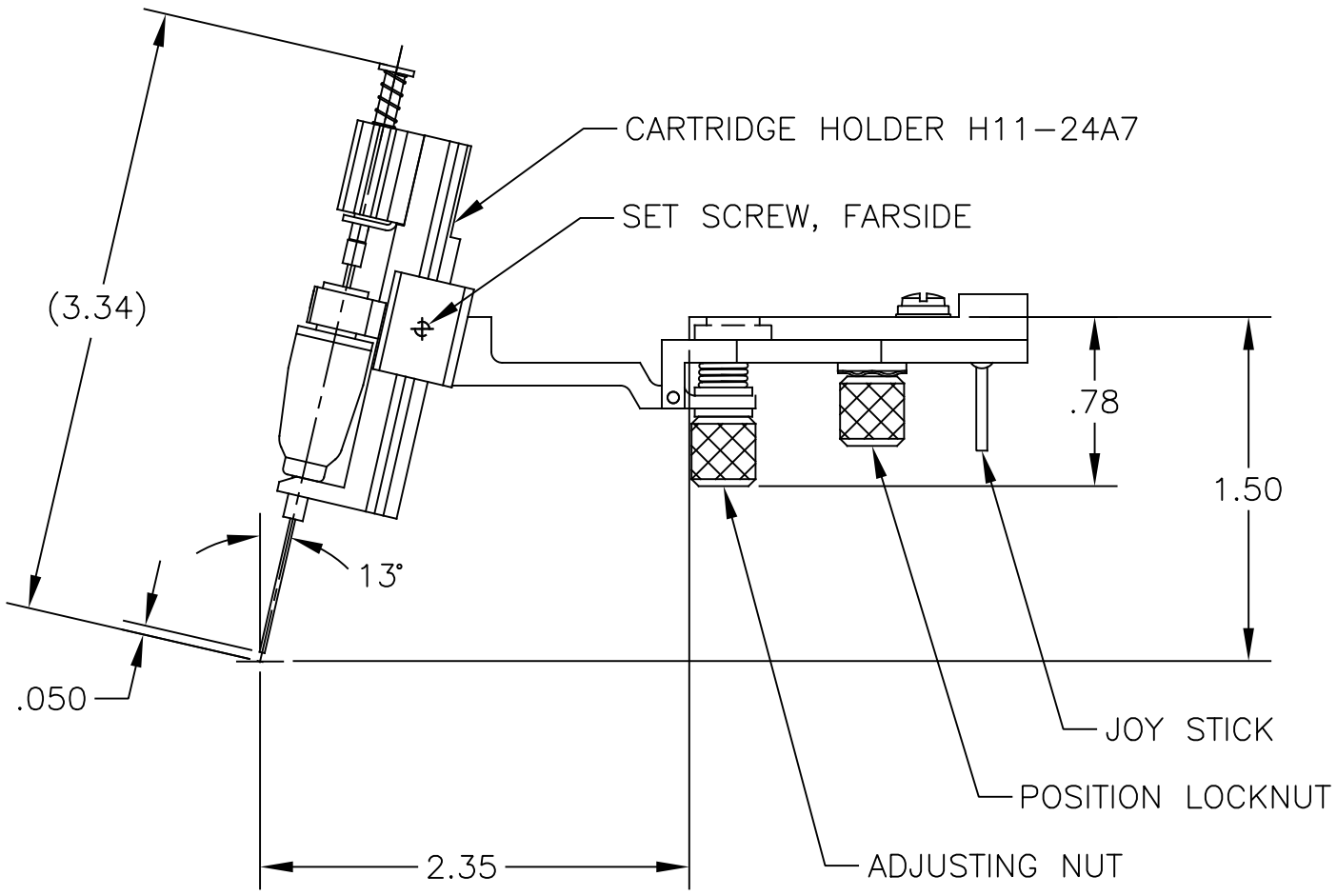
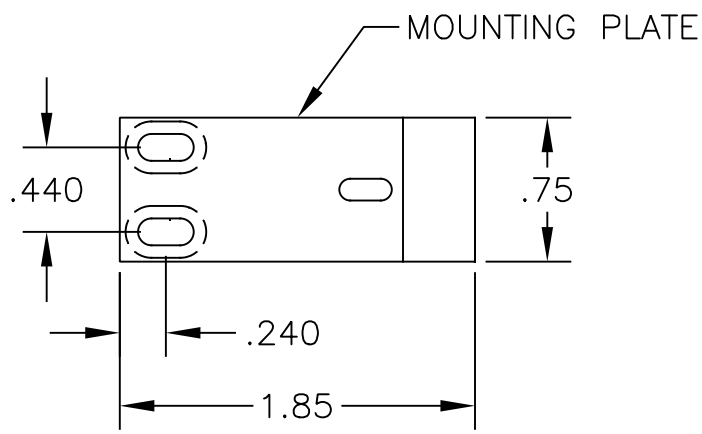
1. FOR USE WITH ELECTROGLAS PROBER MODELS 10XX, 20XX, AND 30XX. OVERHEAD TEST APPLICATION WITH SENTRY 7, 8, 10, 20 AND, 21 MODEL TESTERS.
2. MOUNTING PLATE IS CONNECTED TO PROBER USING TWO 6-32 X 1/4 PAN HD. SCREWS.
3. THIS INKER USES THE DM-1 AND DM-1.25 CARTRIDGES ONLY.
4. THE SWIVEL ARM IS ADJUSTABLE ALONG THE Z AXIS BY $\pm .187$.
5. THE JOY STICK PROVIDES X AND Y AXIS MOVEMENT AT THE TIP OF THE CARTRIDGE NEEDLE.
6. ALL DIMENSIONS SHOWN WITH ADJUSTMENTS IN NEUTRAL POSITION.
7. HOLDER ALLOWS ADDITIONAL ADJUSTMENT OF Z AXIS BY MOVING SLIDE BRACKET.
8. COMPONENTS MAY BE ORDERED SEPARATELY: INKER BASE 201 (#320-0201) AND CARTRIDGE HOLDER H11-24A7 (#314-0002). FOR 5 MIL CARTRIDGES USE HOLDER H2-24A7 (#310-2212).
9. FOR 5 MIL CARTRIDGES, RETROFIT CARTRIDGE HOLDER USING PLUNGER STOP RETROFIT KIT #210-0016.

APPROVALS	DATE	ITEM	QTY	PART NUMBER	DESCRIPTION
DRAWN T. RUFF CHECKED <i>T. Ruff</i> ENGRG DAVE T.	01/21/97 12/7/17 02/05/97	INTERPRET DRAWING PER ASME Y14.5M-1994 TOLERANCES UNLESS OTHERWISE SPECIFIED			<div style="display: flex; align-items: center;"> <div> <p>1360 REDWOOD WAY, SUITE A PETALUMA, CA 94954 (707) 763 7799</p> </div> </div>
NEXT ASSEMBLIES.....USED ON					
DIMENSIONS ARE IN INCHES <u>DECIMALS</u> 1 PL \pm FRACTIONS \pm 2 PL $\pm .010$ ANGLES $\pm 1^\circ$ 3 PL $\pm .005$ 4 PL \pm $\frac{63}{100}$ ALL SURFACES					TITLE INKER MODEL EG201 (KIT #330-0201)
DO NOT SCALE DRAWING					
		SIZE	SCALE	SHEET	DRAWING NUMBER
		A	1/1	1 OF 2	900-0096
					REV E

© Copyright Xandex Inc., All Rights Reserved.
 The information disclosed herein is deemed to be confidential, proprietary, and a trade secret of Xandex, Inc. This information may not be used, reproduced or disclosed without the express prior written consent of Xandex, Inc.

REVISIONS

REV	DESCRIPTION	CHANGE NUMBER	BY	DATE	APPROVED
-	SEE SHEET 1				



1360 REDWOOD WAY, SUITE A
 PETALUMA, CA 94954
 (707) 763 7799

TITLE INKER MODEL EG201
 (KIT #330-0201)

SEE SHEET 1 FOR NOTES AND TOLERANCE INFORMATION			DO NOT SCALE DRAWING	
SIZE A	SCALE 1/1	SHEET 2 OF 2	DRAWING NUMBER 900-0096	REV E