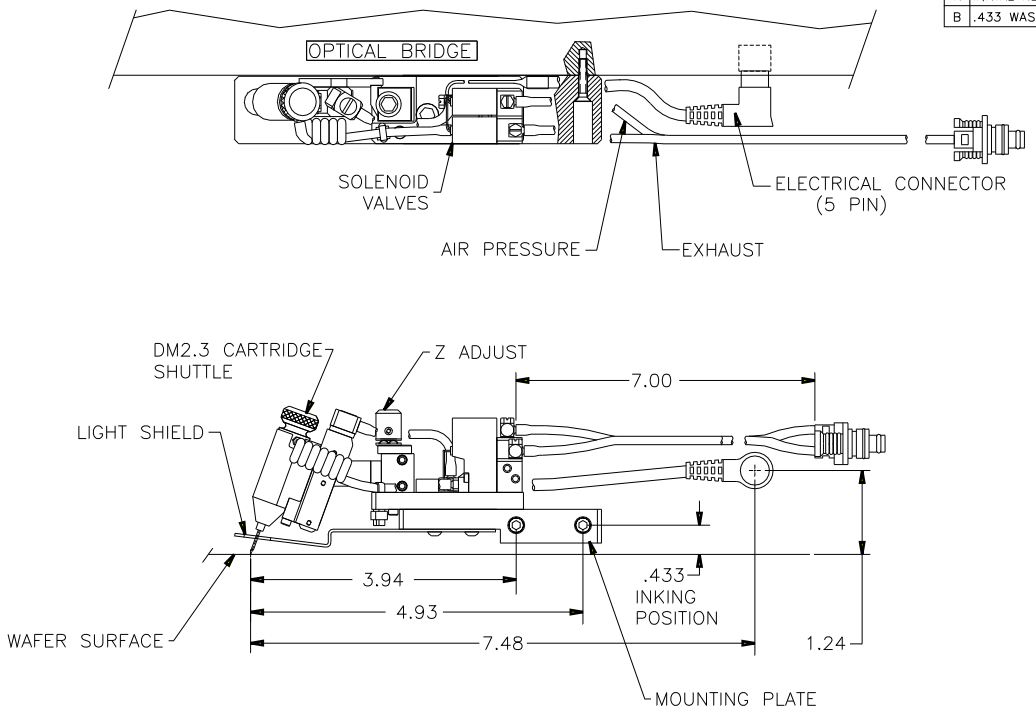


Copyright Xanex Inc. All rights reserved.
 The information disclosed herein is deemed to be confidential, proprietary, and a trade secret of Xanex, Inc. This information may not be used, reproduced or disclosed without the express, written consent of Xanex, Inc.

REVISIONS					
REV	DESCRIPTION	ECO	BY	DATE	APPROVED
A	INITIAL RELEASE	1277	JMc	10/30/96	DT
B	.433 WAS .47/CHNG KNOB	1434	JMc	03/18/97	



NOTES:

1. INKER IS FOR USE ON TEL P8 SERIES PROBERS.
2. INKER INSTALLS ON PROBER OPTICAL BRIDGE.
3. RETROFIT KIT IS REQUIRED, CONTACT TOKYO ELECTRON FOR FURTHER INFORMATION.
4. INKER USES DM2.3 CARTRIDGE.
5. SHUTTLE TRAVELS .050 FROM POSITION SHOWN TO DEPOSIT INK ON WAFER, INKER IS SHOWN IN NOMINAL INKING POSITION WITH Z ADJUSTMENT CAPABILITY OF $\pm .100$.
6. INKER HAS NO X-Y ADJUSTMENT CAPABILITY.
7. ORDER INKER KIT PART NUMBER 340-5210.

FILE NAME	ITEM	QTY	PART NUMBER	DESCRIPTION										
9005210B														
APPROVALS	DATE	INTERPRET DRAWING												
BY: JMc	10/30/96	PER ANSI Y14.5 - 1982												
		TOLERANCES UNLESS OTHERWISE SPECIFIED												
		DIMENSIONS ARE IN INCHES												
		DECIMALS												
		1 PL ± FRACTIONS ±												
		2 PL ±.010 ANGLES ±1°												
		3 PL ±.005 63° ALL SURFACES												
		4 PL ±												
NEXT ASSEMBLY USED ON														
<table border="1"> <thead> <tr> <th>SIZE</th> <th>SCALE</th> <th>SHEET</th> <th>DRAWING NUMBER</th> <th>REV</th> </tr> </thead> <tbody> <tr> <td>C</td> <td>1/1</td> <td>1 of 1</td> <td>900-5210</td> <td>B</td> </tr> </tbody> </table>				SIZE	SCALE	SHEET	DRAWING NUMBER	REV	C	1/1	1 of 1	900-5210	B	1125 N. McDOWELL BLVD. PETALUMA, CA 95954 (707) 763 7799 TITLE PNEUMATIC INKER, TEL P8 OPTICAL BRIDGE DO NOT SCALE DRAWING
SIZE	SCALE	SHEET	DRAWING NUMBER	REV										
C	1/1	1 of 1	900-5210	B										