

© Copyright 1995, Xandex Inc., All Rights Reserved. The information disclosed herein is deemed to be confidential, proprietary, and a trade secret of Xandex, Inc. This information may not be used, reproduced or disclosed without the express prior written consent of Xandex, Inc.

REVISIONS

| REV | DESCRIPTION | ECO | BY | DATE | APPROVED |
|-----|-----------------|------|-----|----------|----------|
| A | INITIAL RELEASE | 0337 | JMG | 08/12/97 | JG |
| B | REV TO MAG BASE | 1801 | RAP | 04/30/99 | |

NOTES:

1. THIS INKER IS FOR A KLA PROBER WITH MOUNTING HOLES FOR 5IN 6IN WAFERS.
2. THIS INKER USES THE DM-2 CARTRIDGE ONLY.
3. INKER ARM IS ADJUSTABLE ALONG THE "Z" AXIS BY ±.188.
4. JOYSTICK PROVIDES "X" AND "Y" AXIS MOVEMENT AT THE TIP OF THE CARTRIDGE NEEDLE.
5. ALL DIMENSIONS SHOWN WITH ADJUSTMENTS IN NEUTRAL POSITION.
6. INKER MOUNTS TO THE PROBER USING TWO M3 X .5 X 6MM PAN HEAD SLOTTED SCREWS (SUPPLIED).

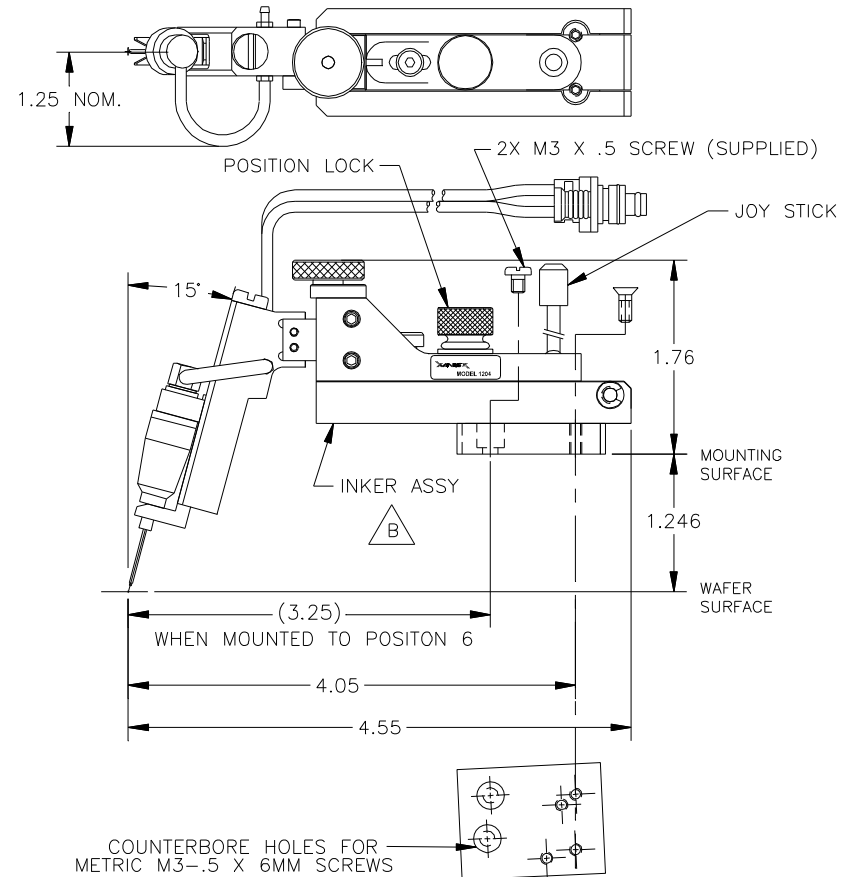
| | | | | | |
|-----------------------------|-------------------|--|----------------|------------------------|-------------|
| FILE NAME | 9000196B | ITEM | QTY | PART NUMBER | DESCRIPTION |
| APPROVALS | DATE | INTERPRET DRAWING PER ANSI Y14.5 - 1982 | | | |
| DRAWN | JAMES G. 8/12/97 | TOLERANCES UNLESS OTHERWISE SPECIFIED DIMENSIONS ARE IN INCHES | | | |
| CHECKED | | DECIMALS | | | |
| ENGRG | JAMES G. 08/26/97 | 1 PL ± | FRACTIONS ± | TITLE | |
| APP ENGRG | | 2 PL ± | ANGLES ± | PNEUMATIC INKER, X1204 | |
| NEXT ASSEMBLIES.....USED ON | | 3 PL ± | ✓ ALL SURFACES | (KIT #340-1204) | |
| DO NOT SCALE DRAWING | | | | | |
| SIZE | SCALE | SHEET | DRAWING NUMBER | REV | |
| A | 1/1 | 1 OF 2 | 900-0196 | B | |

XANDEX INC.
 1125 N. McDOWELL BLVD.
 PETALUMA, CA 95954
 (707) 763 7799

© Copyright 1995, Xandex Inc., All Rights Reserved. The information disclosed herein is deemed to be confidential, proprietary, and a trade secret of Xandex, Inc. This information may not be used, reproduced or disclosed without the express prior written consent of Xandex, Inc.

REVISIONS

| REV | DESCRIPTION | ECO | BY | DATE | APPROVED |
|-----|-------------|-----|----|------|----------|
| - | SEE SHEET 1 | - | - | - | - |



XANDEX INC.
 1125 N. McDOWELL BLVD.
 PETALUMA, CA 95954
 (707) 763 7799

| | | | | | |
|-----------|----------|----------------------|----------------|-----|------------------------|
| TITLE | | | | | PNEUMATIC INKER, X1204 |
| | | | | | (KIT #340-1204) |
| FILE NAME | 9000196B | DO NOT SCALE DRAWING | | | |
| SIZE | SCALE | SHEET | DRAWING NUMBER | REV | |
| A | 1/1 | 2 OF 2 | 900-0196 | B | |