

©Copyright Xandex Inc., All Rights Reserved.
 The information disclosed herein is deemed to be confidential, proprietary, and a trade secret of Xandex, Inc. This information may not be used, reproduced or disclosed without the express prior written consent of Xandex, Inc.

REVISIONS

REV	DESCRIPTION	ECO	BY	DATE	APPROVED
A	INITIAL RELEASE	1330	DT	11/04/96	DT
B	REV TO MAG BASE	1801	RAP	04/30/99	

NOTES:

1. INKER FOR KLA 1007 SERIES PROBER, OFF LINE PROBING.
2. THIS INKER USES THE DM-2 CARTRIDGE ONLY.
3. INKER ARM IS ADJUSTABLE ALONG THE "Z" AXIS BY ±.188.
4. JOYSTICK PROVIDES "X" AND "Y" AXIS MOVEMENT AT THE TIP OF THE CARTRIDGE NEEDLE.
5. ALL DIMENSIONS SHOWN WITH ADJUSTMENTS IN NEUTRAL POSITION.
6. INKER MOUNTS TO THE PROBER USING (2) M3 X 0.5 X 6MM PAN HEAD SCREWS (SUPPLIED).
7. ORDER KIT NUMBER 340-1202.

FILE NAME	9000182B	ITEM	QTY	PART NUMBER	DESCRIPTION
APPROVALS	DATE	INTERPRET DRAWING PER ANSI Y14.5 - 1982			
DRAWN	D. TEGLIA	11/04/96			
CHECKED		TOLERANCES UNLESS OTHERWISE SPECIFIED			
DATE		DIMENSIONS ARE IN INCHES			
ENGR	D. TEGLIA	11/05/96			
DATE		DECIMALS			
ENG		1 PL ± FRACTIONS ±			
DATE		2 PL ± ANGLES ±			
ENG		3 PL ± ALL SURFACES			
DATE		4 PL ±			
NEXT ASSEMBLIES.....USED ON 340-1202					



1125 N. McDOWELL BLVD.
 PETALUMA, CA 95954
 (707) 763 7799

TITLE PNEUMATIC INKER X1202

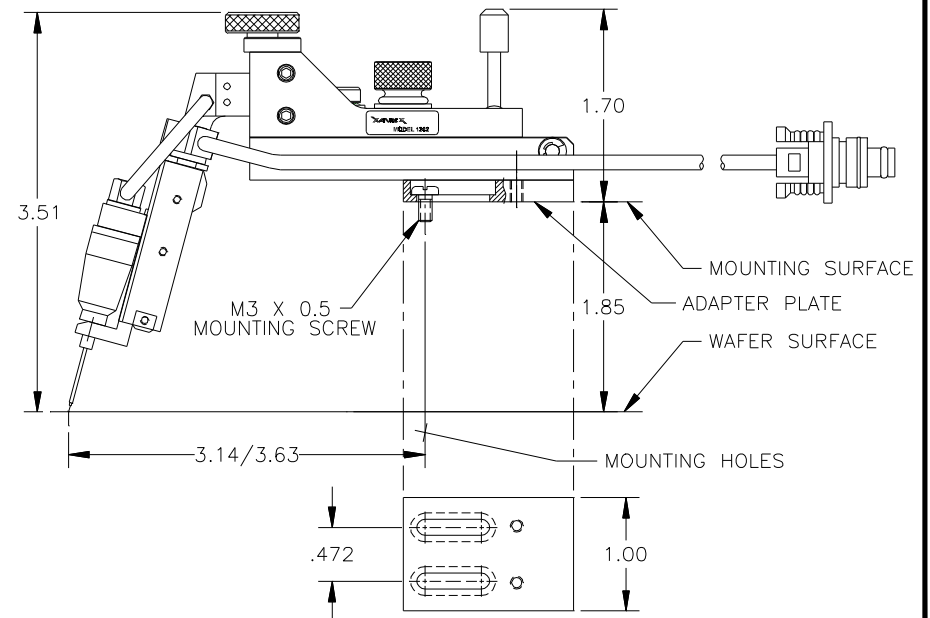
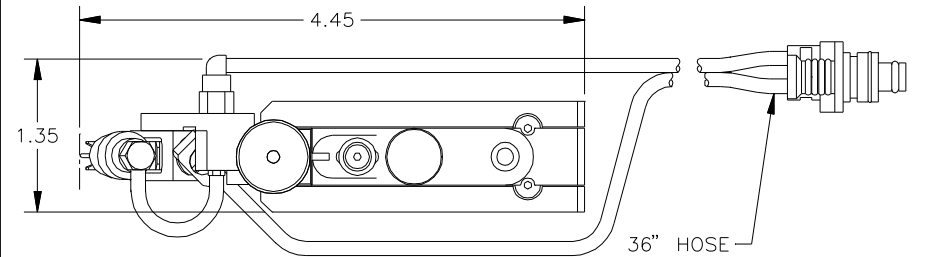
DO NOT SCALE DRAWING

SIZE	SCALE	SHEET	DRAWING NUMBER	REV
A	1/1	1 of 2	900-0182	B

©Copyright Xandex Inc., All Rights Reserved.
 The information disclosed herein is deemed to be confidential, proprietary, and a trade secret of Xandex, Inc. This information may not be used, reproduced or disclosed without the express prior written consent of Xandex, Inc.

REVISIONS

REV	DESCRIPTION	ECO	BY	DATE	APPROVED
-	SEE SHEET 1	-	-	-	-



1125 N. McDOWELL BLVD.
 PETALUMA, CA 95954
 (707) 763 7799

TITLE PNEUMATIC INKER X1202

FILE NAME	9000182B	DO NOT SCALE DRAWING			
SIZE	SCALE	SHEET	DRAWING NUMBER	REV	
A	1/1	2 of 2	900-0182	B	