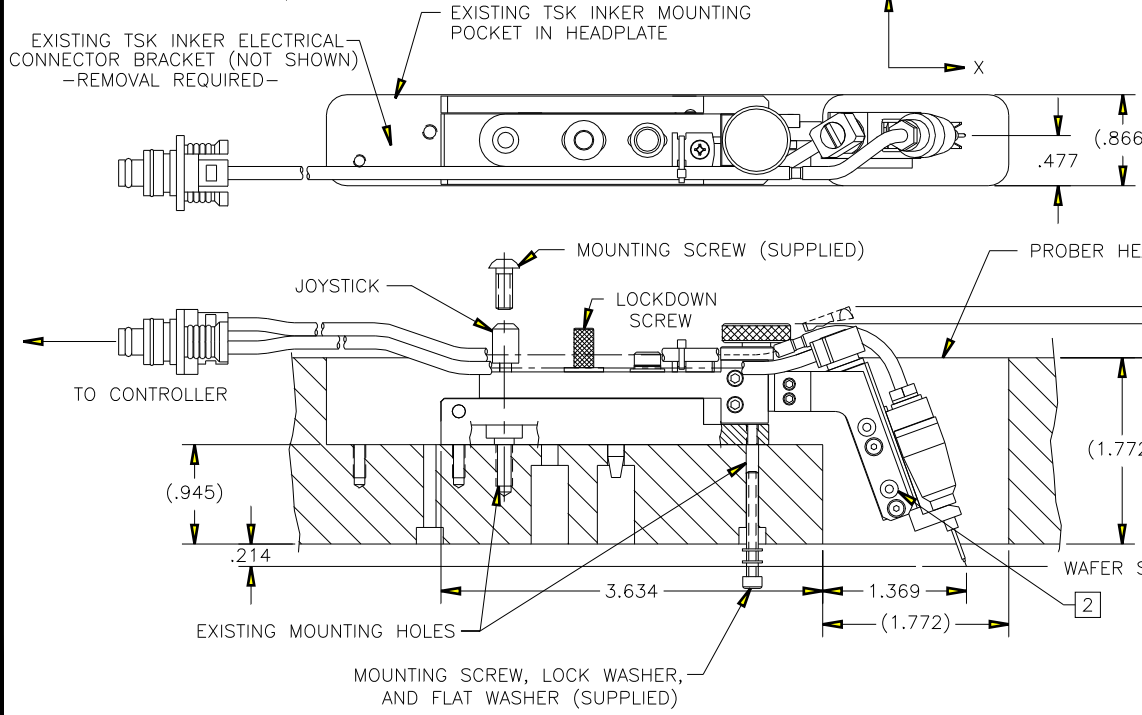
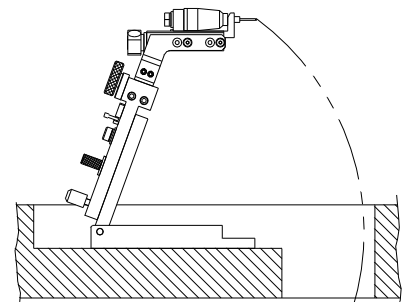


©Copyright Xandex Inc., All Rights Reserved.
 The information disclosed herein is deemed to be confidential, proprietary, and a trade secret of Xandex, Inc. This information may not be used, reproduced or disclosed without the express prior written consent of Xandex, Inc.




REVISIONS					
REV	DESCRIPTION	ECO	BY	DATE	APPROVED
A	INITIAL RELEASE	1220	DT	05/22/96	DT
B	ADD SHORT HOSE	1262	JMc	07/12/96	DT
C	REV MOUNTING HARDWARE	1269	MD	08/19/96	DT
D	UPDATE ARM, ADD NOTE 2	1446	JMc	04/10/97	



NOTES:

1. INKER IS DESIGNED FOR USE ON TSK-APM90 PROBERS, AND REPLACES EXISTING TSK INKER. TSK INKER AND CONNECTOR BRACKET MUST BE REMOVED TO INSTALL XANDEX INKER.
2. UPPER HOLE SET IS FOR USE WITH STANDARD DM-2 CARTRIDGE-CHECK OVERALL INKER HEIGHT FOR CLEARANCE. LOWER HOLE SET IS FOR USE WITH DM-2.3 CARTRIDGE ONLY.
3. FROM NEUTRAL POSITION SHOWN, Z TRAVEL +/- .110, X TRAVEL +/- .125, Y TRAVEL +/- .190 AT THE CARTRIDGE TIP.
4. ORDER INKER KIT X1412, PART NUMBER 340-1412.

FILE NAME 9000175D	ITEM	QTY	PART NUMBER	DESCRIPTION
APPROVALS	DATE	INTERPRET DRAWING		 1125 N. McDOWELL BLVD. PETALUMA, CA 95954 (707) 763 7799
DRAWN D. TEGLIA	5/22/96	PER ANSI Y14.5 - 1982		
CHECKED		TOLERANCES		
U.C.		UNLESS OTHERWISE SPECIFIED		
ENGRG		DIMENSIONS ARE IN INCHES		TITLE PNEUMATIC INKER X1412, TSK-APM90
MFG ENGRG		DECIMALS		DO NOT SCALE DRAWING
NEXT ASSEMBLIES.....USED ON 340-1412		1 PL ±	FRACTIONS ±	SIZE B
		2 PL ±	ANGLES ±	SCALE 1/1
		3 PL ±	✓ ALL SURFACES	SHEET 1 OF 1
		4 PL ±		DRAWING NUMBER 900-0175
				REV D