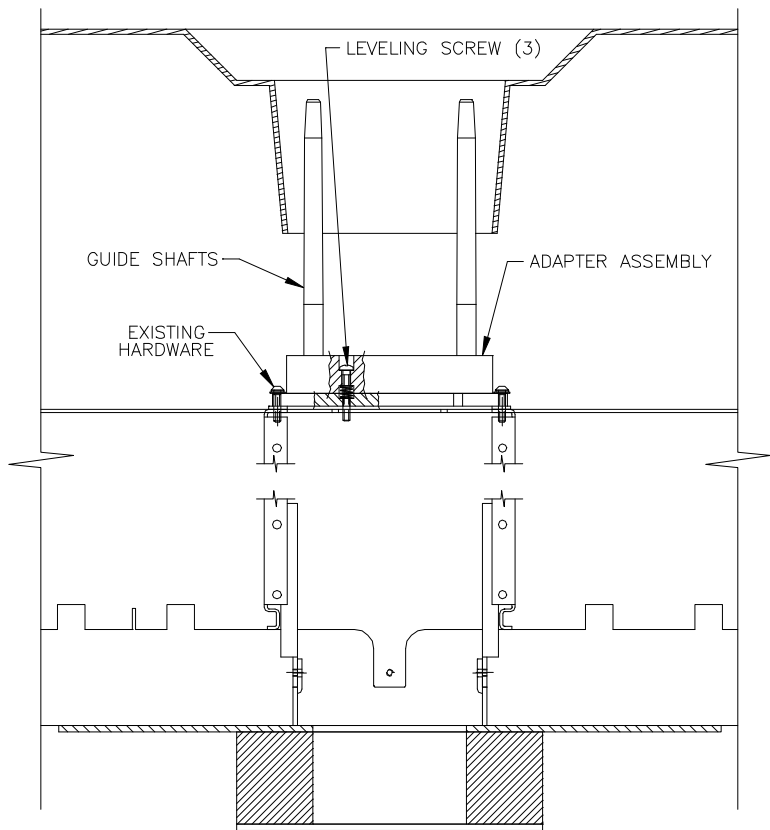


©Copyright Xandex Inc., All Rights Reserved.
 The information disclosed herein is deemed to be confidential, proprietary, and a trade secret of Xandex, Inc. This information may not be used, reproduced or disclosed without the express prior written consent of Xandex, Inc.

REVISIONS

REV	DESCRIPTION	ECO	BY	DATE	APPROVED
-	SEE SHEET 1				



1125 N. McDOWELL BLVD.
 PETALUMA, CA 95954
 (707) 763 7799

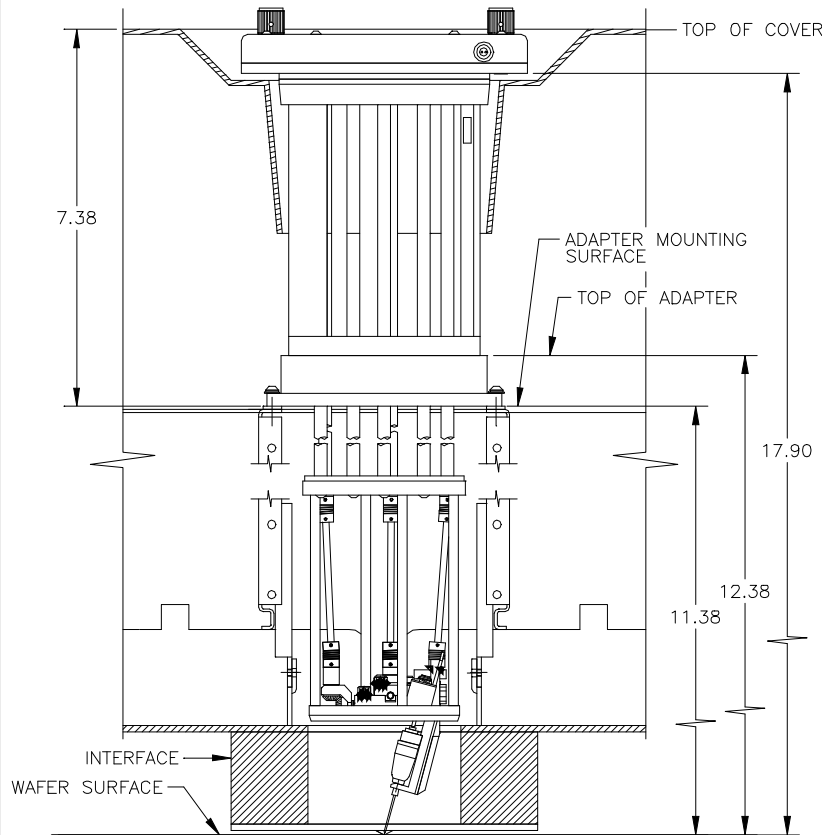
TITLE INKER SERIES EG3307
 TERADYNE A575 R/A

FILE NAME 9000174A		DO NOT SCALE DRAWING		
SIZE A	SCALE 1/2	SHEET 3 of 4	DRAWING NUMBER 900-0174	REV A

©Copyright Xandex Inc., All Rights Reserved.
 The information disclosed herein is deemed to be confidential, proprietary, and a trade secret of Xandex, Inc. This information may not be used, reproduced or disclosed without the express prior written consent of Xandex, Inc.

REVISIONS

REV	DESCRIPTION	ECO	BY	DATE	APPROVED
-	SEE SHEET 1				



1125 N. McDOWELL BLVD.
 PETALUMA, CA 95954
 (707) 763 7799

TITLE INKER SERIES EG3307
 TERADYNE A575 R/A

FILE NAME 9000174A		DO NOT SCALE DRAWING		
SIZE A	SCALE 1/2	SHEET 4 of 4	DRAWING NUMBER 900-0174	REV A