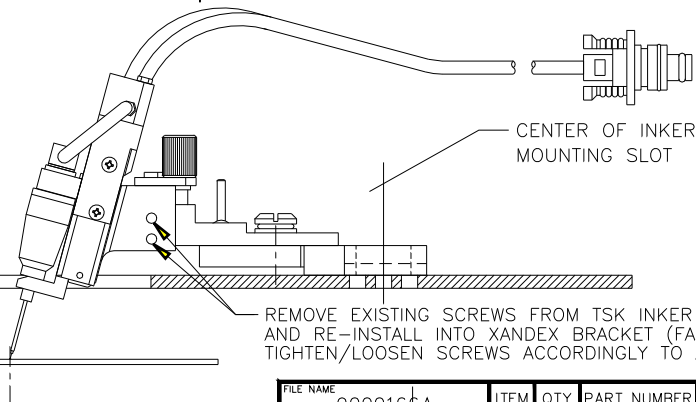
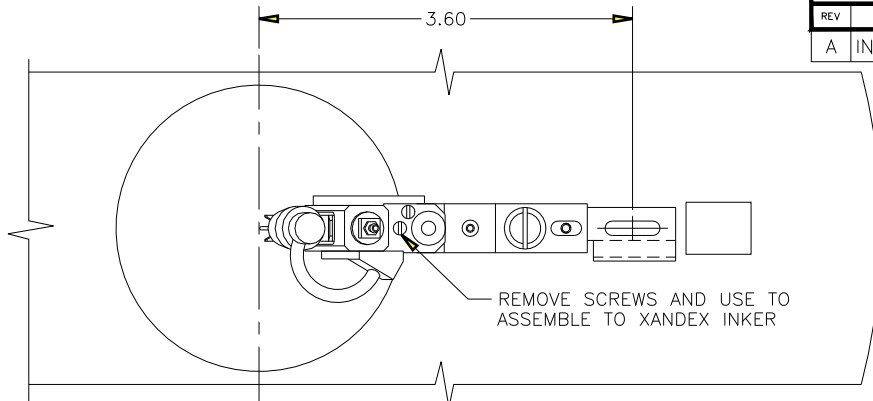


Copyright 1992, Xandex Inc., All Rights Reserved.
 The information disclosed herein is deemed to be confidential, proprietary, and a trade secret of Xandex, Inc. This information may not be used, reproduced or disclosed without the expressed prior written consent of Xandex, Inc.

REVISIONS					
REV	DESCRIPTION	ECO	BY	DATE	APPROVED
A	INITIAL RELEASE	940	DT	09/22/95	



NOTES:

1. REMOVE EXISTING TSK INKER COMPONENTS UP TO AND INCLUDING THE FEMALE DOVETAIL BRACKET TO ALLOW INSTALLATION OF THE XANDEX INKER ASSEMBLY.
2. INKER USES DM-2 CARTRIDGES.
- 3 APPROXIMATELY +/- .150 Z TRAVEL FROM POSITION SHOWN
4. ORDER PART NUMBER 316-0005.

FILE NAME	9000166A	ITEM	QTY	PART NUMBER
APPROVALS	DATE	INTERPRET DRAWING PER ANSI Y14.5 - 1982		
DRAWN	D. TEGLIA	8/31/95		
CHECKED		TOLERANCES UNLESS OTHERWISE SPECIFIED		
DWG. ENGRG		DIMENSIONS ARE IN INCHES		
MFG ENGRG		DECIMALS		
NEXT ASSEMBLIES.....USED ON		1	PL ±	FRACTIONS ±
316-0005		2	PL ±	ANGLES ±
		3	PL ±	
		4	PL ±	✓ ALL SURFACES

DESCRIPTION				
		1125 N. McDOWELL BLVD. PETALUMA, CA 95954 (707) 763 7799		
		TITLE PNEUMATIC INKER, TSK-APM-88 RETROFIT "A"		
DO NOT SCALE DRAWING				
SIZE	SCALE	SHEET	DRAWING NUMBER	REV
B	1/1	1 of 1	900-0166	A

D

D

C

C

B

B

A

A