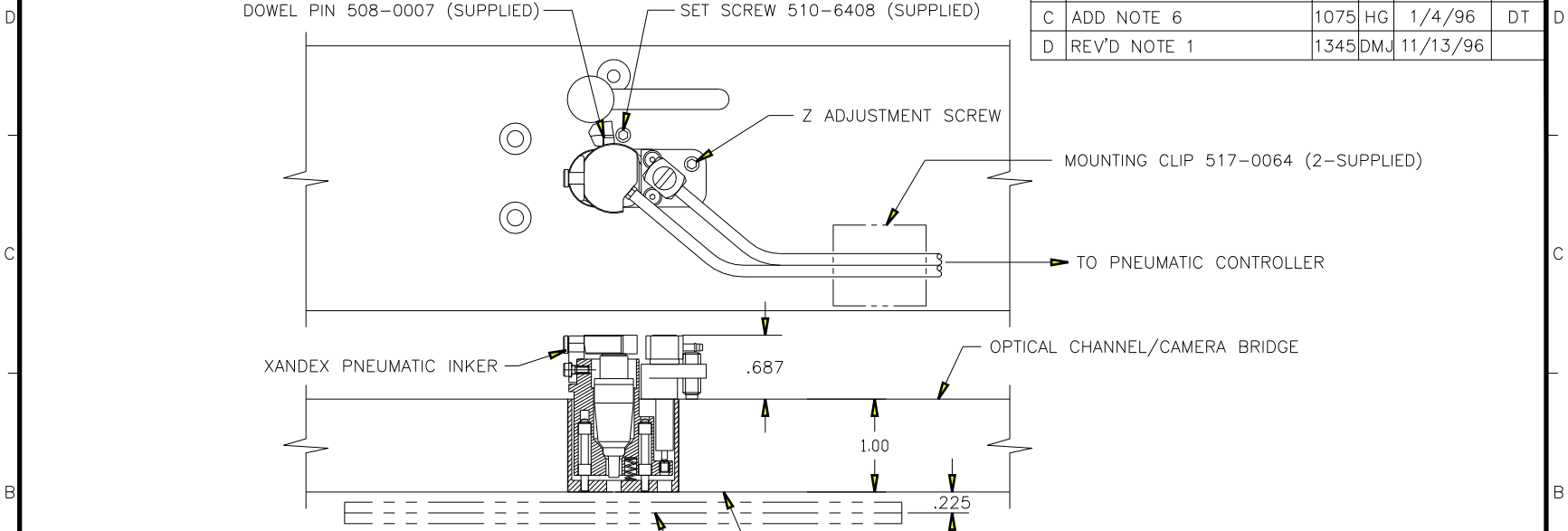



©Copyright Xandex Inc., All Rights Reserved.
 The information disclosed herein is deemed to be confidential, proprietary, and a trade secret of Xandex, Inc. This information may not be used, reproduced or disclosed without the express prior written consent of Xandex, Inc.

REVISIONS					
REV	DESCRIPTION	ECO	BY	DATE	APPROVED
A	INITIAL RELEASE	905	DT	09/08/95	
B	INCORPORATE REDESIGN	1062	DT	12/7/95	DT
C	ADD NOTE 6	1075	HG	1/4/96	DT
D	REV'D NOTE 1	1345	DMJ	11/13/96	



NOTES:

1. INKER USES DM-2.3 INK CARTRIDGES.
2. SHUTTLE TRAVELS .050 FROM POSITION SHOWN TO DEPOSIT INK ON WAFER. INKER IS SHOWN IN NOMINAL INKING POSITION WITH Z ADJUSTMENT CAPABILITY OF +/- .190 INCHES.
3. INKER INSTALLS INTO STANDARD INKER MOUNT ON EG OPTICAL CHANNEL (PART NO 252884).
4. INKER HAS NO X, Y ADJUSTMENT CAPABILITY.
5. FOR STANDARD INKER KIT, ORDER PART NUMBER 340-5100.
6. FOR X/Y INKER-DIE ALIGNMENT TOOL, ORDER PART NUMBER 120-0081.

FILE NAME 9000165D	ITEM	QTY	PART NUMBER	DESCRIPTION
APPROVALS	DATE	INTERPRET DRAWING		 1125 N. McDOWELL BLVD. PETALUMA, CA 95954 (707) 763 7799
DRAWN DT	8/24/95	PER ANSI Y14.5 - 1982		
CHECKED		TOLERANCES		
DATE		UNLESS OTHERWISE SPECIFIED		
ENGRG DT	12/8/95	DIMENSIONS ARE IN INCHES		TITLE INKER MODEL 5100 (EG 4080)
DATE		DECIMALS		DO NOT SCALE DRAWING
NEXT ASSEMBLIES.....USED ON 340-5100		1 PL ±	FRACTIONS ±	SIZE B
		2 PL ±	ANGLES ±	SCALE 1/1
		3 PL ±		SHEET 1 of 1
		4 PL ±	ALL SURFACES	DRAWING NUMBER 900-0165
				REV D