


©Copyright 1995, Xandex Inc., All Rights Reserved.  
 The information disclosed herein is deemed to be confidential, proprietary, and a trade secret of Xandex, Inc. This information may not be used, reproduced or disclosed without the express prior written consent of Xandex, Inc.

REVISIONS

REV	DESCRIPTION	ECO	BY	DATE	APPROVED
A	INITIAL RELEASE	815	DT	6/5/95	

NOTES:

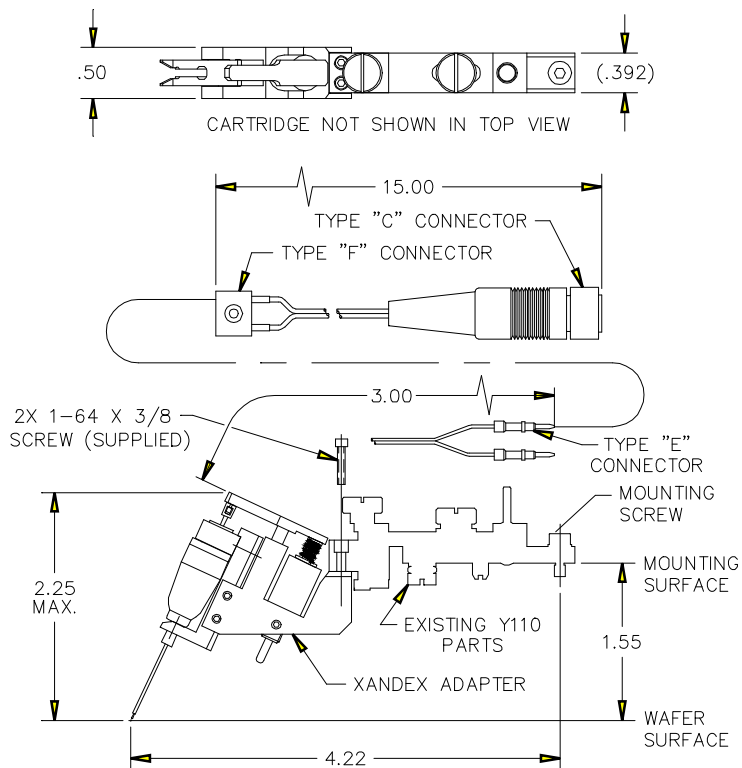
1. REMOVE EXISTING Y110 INKER PARTS MOUNTED TO DOVETAIL BRACKET TO ALLOW INSTALLATION OF THE XANDEX HOLDER ASSEMBLY.
2. HOLDER ASSEMBLY IS MOUNTED TO EXISTING Y110 INKER AS SHOWN USING (2) 1-64 X 3/8 SCREWS (SUPPLIED).
3. ADAPTER ASSEMBLY USES DM-1 CARTRIDGES.
4. ORDER PART NUMBER 315-0008, S3-12C10.


FILE NAME 9000164A	ITEM QTY PART NUMBER	DESCRIPTION
UNLESS OTHERWISE SPECIFIED DIMENSIONS ARE IN INCHES TOLERANCES ON: 2 PL DECIMALS ± 3 PL DECIMALS ± ANGLES ± FRACTIONS ± ✓ ALL SURFACES	SIGNATURES DRAWN D. TEGLIA CHECKED Q.C. ENGRG MFG ENGRG NEXT ASSY'S	DATE 6/5/95
MATERIAL: HEAT TREAT OR PLATING		 1125 N. McDOWELL BLVD. PETALUMA, CA 95954 (707) 763 7799 TITLE HOLDER ASSEMBLY S3 (Y110: TSP-30 SOLENOID)
SCALE 1/1		SIZE A FSCM NO DWG NO 900-0164 REV A SHEET 1 OF 2

©Copyright 1995, Xandex Inc., All Rights Reserved.  
 The information disclosed herein is deemed to be confidential, proprietary, and a trade secret of Xandex, Inc. This information may not be used, reproduced or disclosed without the express prior written consent of Xandex, Inc.

REVISIONS

REV	DESCRIPTION	ECO	BY	DATE	APPROVED
A	SEE SHEET 1				



 1125 N. McDOWELL BLVD. PETALUMA, CA 95954 (707) 763 7799		TITLE HOLDER ASSEMBLY S3 (Y110: TSP-30 SOLENOID)	
SIZE A	FSCM NO	DWG NO 900-0164	REV A
SCALE 1/1	FILE NAME 9000164A	SHEET 2	OF 2