

©Copyright 1995, Xandex Inc., All Rights Reserved.
 The information disclosed herein is deemed to be confidential, proprietary, and a trade secret of Xandex, Inc. This information may not be used, reproduced or disclosed without the express prior written consent of Xandex, Inc.

REVISIONS

REV	DESCRIPTION	ECO	BY	DATE	APPROVED
A	INITIAL RELEASE	609	KM	5/20/93	

NOTES:

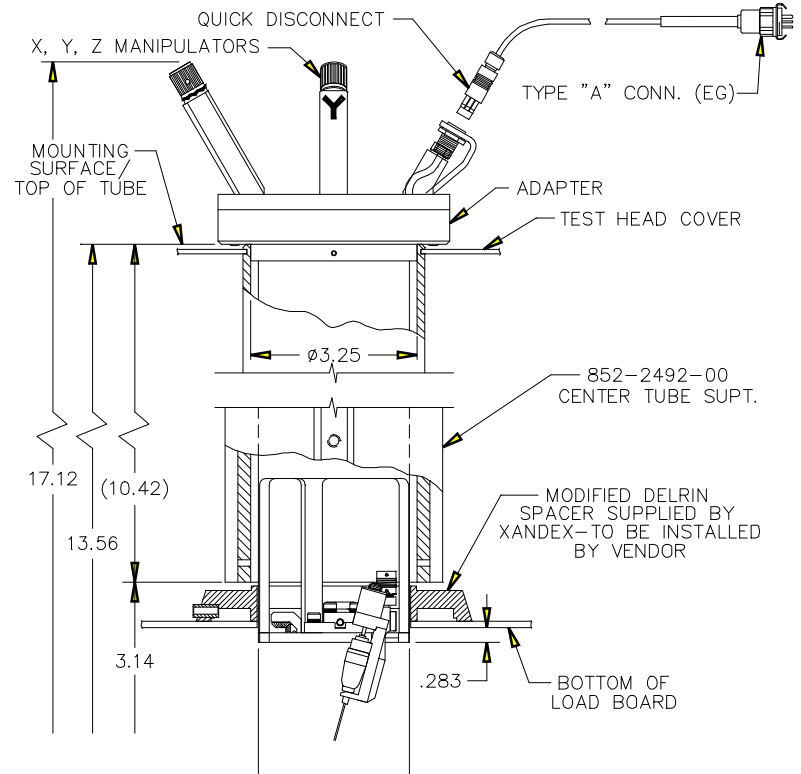
1. INKER IS DESIGNED FOR USE ON LTX HT AND HI-T TEST HEADS. TEST HEAD MUST BE RETRO-FITTED WITH THE XANDEX DELRIN SPACER PART NUMBER 120-0059, REPLACING THE EXISTING LTX SPACER, PART NUMBER 851-6914-00.
2. X, Y ADJUSTMENT IS $\pm .062$. Z ADJUSTMENT CAPABILITY IS $\pm .125$ PLUS AN ADDITIONAL ABILITY TO ADJUST THE CARTRIDGE HOLDER TO ACCOMMODATE PROBE TIPS LONGER THAN $.080$.
3. INKER IS DESIGNED FOR USE WITH THE OPTEM HF-65 MICROSCOPE WITH A 0.7X-4.5X OBJECTIVE LENS. MINIMUM WORKING DISTANCE IS 90mm (3.50").
4. ORDER INKER KIT EG3301 (PART NUMBER 331-3301).

FILE NAME 9000153A	ITEM	QTY	PART NUMBER	DESCRIPTION
UNLESS OTHERWISE SPECIFIED DIMENSIONS ARE IN INCHES TOLERANCES ON: 2 PL DECIMALS \pm 3 PL DECIMALS \pm ANGLES \pm FRACTIONS \pm MATERIAL: HEAT TREAT OR PLATING	SIGNATURES DRAWN CHECKED G.C. ENGRG MFG ENGRG NEXT ASSY'S	DATE KRIS M. 5/18/93		1125 N. McDOWELL BLVD. PETALUMA, CA 95954 (707) 763 7799
				TITLE INKER SERIES 3301, LTX-HT REMOTE ADJUST ELECTRIC
	SIZE A	FSCM NO	DWG NO 900-0153	REV A
	SCALE 1/2		SHEET 1	OF 2

©Copyright 1995, Xandex Inc., All Rights Reserved.
 The information disclosed herein is deemed to be confidential, proprietary, and a trade secret of Xandex, Inc. This information may not be used, reproduced or disclosed without the express prior written consent of Xandex, Inc.

REVISIONS

REV	DESCRIPTION	ECO	BY	DATE	APPROVED
-	SEE SHEET 1				



XANDEX INC.		TITLE INKER SERIES 3301, LTX-HT REMOTE ADJUST ELECTRIC			
1125 N. McDOWELL BLVD. PETALUMA, CA 95954 (707) 763 7799	SIZE A	FSCM NO	DWG NO 900-0153	REV A	
	SCALE 1/2	FILE NAME 9000153A	SHEET 2	OF 2	