



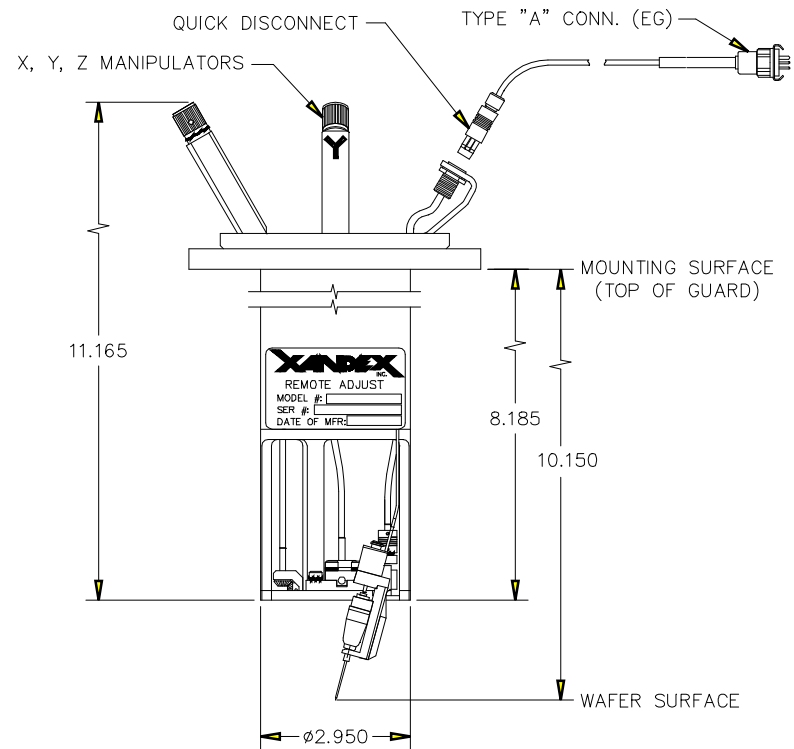
©Copyright Xandex Inc., All Rights Reserved. The information disclosed herein is deemed to be confidential, proprietary, and a trade secret of Xandex, Inc. This information may not be used, reproduced or disclosed without the express prior written consent of Xandex, Inc.					
REVISIONS					
REV	DESCRIPTION	ECO	BY	DATE	APPROVED
A	INITIAL RELEASE	646	DT	8/13/93	DT
B	ADDED "S" CONFIG.	1333	DT	10/29/96	

NOTES:


1. INKER IS DESIGNED FOR USE ON LTX SYNCHRO AC & AC-"S" TESTERS. TEST HEAD MUST BE OUTFITTED WITH THE CLEAR PLASTIC GUARD (LTX PART NUMBER 852-3410-00).
2. INKER ADAPTER MOUNTS TO TEST HEAD USING (4) 4-40 X 1/2 LONG FLAT HEAD SCREWS (SUPPLIED).
3. X, Y ADJUSTMENT IS ± 0.062 . Z ADJUSTMENT CAPABILITY IS ± 0.125 PLUS 3N ADDITIONAL .10 ADJUSTMENT TO ACCOMMODATE PROBE TIPS LONGER THAN .080.
4. INKER CAN BE USED WITH:
THE OPTEM HF-65 MICROSCOPE WITH A 0.7X-4.5X OBJECTIVE LENS.
MINIMUM WORKING DISTANCE IS 90mm (3.50").
5. ORDER INKER KIT EG3302 (PART No. 331-3302) FOR AC APPLICATIONS.
6. ORDER INKER KIT EG3306 (PART No. 331-3306) FOR AC-"S" APPLICATIONS.

FILE NAME	ITEM	QTY	PART NUMBER	DESCRIPTION
9000151B				
APPROVALS	DATE	INTERPRET DRAWING		
D. TEGLIA	8/13/93	PER ANSI Y14.5 - 1982		
TOLERANCES				 1125 N. McDOWELL BLVD. PETALUMA, CA 95954 (707) 763 7799
UNLESS OTHERWISE SPECIFIED				
JCC		TITLE		
D. TEGLIA	11/5/93	INKER SERIES 3300, LTX-AC & AC "S" R/A ELECTRIC		
DIMENSIONS ARE IN INCHES				 1125 N. McDOWELL BLVD. PETALUMA, CA 95954 (707) 763 7799
DECIMALS				
NEXT ASSEMBLIES.....USED ON		FRACTIONS \pm		DO NOT SCALE DRAWING SIZE SCALE SHEET DRAWING NUMBER REV A 1/2 1 of 2 900-0151 B
331-3302		2 PL \pm ANGLES \pm		
331-3306		3 PL \pm / ALL SURFACES		
		4 PL \pm		

©Copyright Xandex Inc., All Rights Reserved. The information disclosed herein is deemed to be confidential, proprietary, and a trade secret of Xandex, Inc. This information may not be used, reproduced or disclosed without the express prior written consent of Xandex, Inc.					
REVISIONS					
REV	DESCRIPTION	ECO	BY	DATE	APPROVED
-	SEE SHEET 1				



©Copyright Xandex Inc., All Rights Reserved. The information disclosed herein is deemed to be confidential, proprietary, and a trade secret of Xandex, Inc. This information may not be used, reproduced or disclosed without the express prior written consent of Xandex, Inc.					
REVISIONS					
REV	DESCRIPTION	ECO	BY	DATE	APPROVED
-	SEE SHEET 1				

FILE NAME	ITEM	QTY	PART NUMBER	DESCRIPTION
9000151B				
TITLE				 1125 N. McDOWELL BLVD. PETALUMA, CA 95954 (707) 763 7799
INKER SERIES 3300, LTX-AC & AC "S", R/A ELECTRIC				
DO NOT SCALE DRAWING				DO NOT SCALE DRAWING SIZE SCALE SHEET DRAWING NUMBER REV A 1/2 2 of 2 900-0151 B
NEXT ASSEMBLIES.....USED ON		FRACTIONS \pm		
331-3302		2 PL \pm ANGLES \pm		
331-3306		3 PL \pm / ALL SURFACES		
		4 PL \pm		