


©Copyright 1992, Xandex Inc., All Rights Reserved. The information disclosed herein is deemed to be confidential, proprietary, and a trade secret of Xandex, Inc. This information may not be used, reproduced or disclosed without the expressed prior written consent of Xandex, Inc.

REVISIONS

REV	DESCRIPTION	ECO	BY	DATE	APPROVED
A	INITIAL RELEASE			2/28/92	
B	REVISED PER REDESIGN	564	JT	3/18/93	

NOTES:

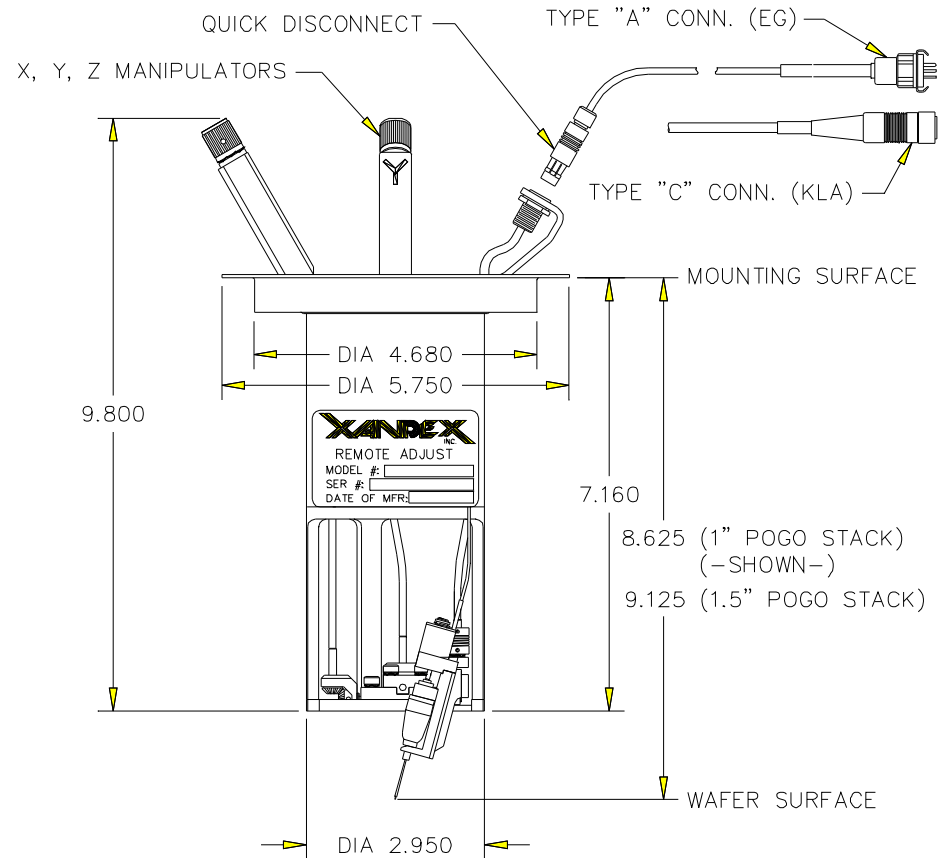
1. INKER IS DESIGNED FOR USE ON TRILLIUM MICROMASTER AND DELTA-MASTER TEST HEADS. TEST HEAD MUST BE OUTFITTED WITH THE BLACK PLASTIC GUARD (TRILLIUM PART NUMBER A-530419-01).
2. FOR 1" POGO STACKS, ORDER INKER KIT EG3100 (PART NUMBER 331-3100). FOR 1.5" POGO STACKS, ORDER INKER KIT EG3110 (PART NUMBER 331-3110). FOR KLA VERSIONS USING 1.5" POGO STACKS, ORDER INKER KIT KLA3200 (PART NUMBER 331-3200). INKERS CAN BE ADAPTED TO 1" OR 1.5" POGO STACKS BY CHANGING THE CARTRIDGE HOLDER MOUNTING ARMS. FOR CONVERSION FROM 1" TO 1.5", ORDER ARM 120-0007. FOR CONVERSION FROM 1.5" TO 1", ORDER ARM 120-0005.
3. X, Y ADJUSTMENT IS ± 0.062 . Z ADJUSTMENT CAPABILITY IS ± 0.125 PLUS AN ADDITIONAL .10 ADJUSTMENT TO ACCOMODATE PROBE TIPS LONGER THAN .080.
4. INKER CAN BE USED WITH EITHER:
 THE OLYMPUS SZ SERIES MICROSCOPE WITH A 0.3X OR 0.4X OBJECTIVE LENS. MINIMUM WORKING DISTANCE IS 210mm (8.27").
 OR:
 THE OPTEM HF-65 MICROSCOPE WITH A 0.7X-4.5X OBJECTIVE LENS. MINIMUM WORKING DISTANCE IS 90mm (3.50").

FILE NAME 9000139B	ITEM	QTY	PART NUMBER	DESCRIPTION
UNLESS OTHERWISE SPECIFIED	SIGNATURES		DATE	 1125 N. McDOWELL BLVD. PETALUMA, CA 95954 (707) 763 7799
DIMENSIONS ARE IN INCHES	DRAWN J. TEMPLETON		2/28/92	
TOLERANCES ON:	CHECKED			
2 PL DECIMALS \pm	ENGRG			
3 PL DECIMALS \pm	ISSUED			TITLE INKER SERIES 3000, REMOTE ADJUST ELECTRIC
ANGLES \pm	MATERIAL:			SIZE A
FRACTIONS \pm	NEXT ASSY'S			FSCM NO
HEAT TREAT OR PLATING				DWG NO 900-0139
				REV B
	SCALE 1/2		SHEET 1	OF 2

©Copyright 1992, Xandex Inc., All Rights Reserved. The information disclosed herein is deemed to be confidential, proprietary, and a trade secret of Xandex, Inc. This information may not be used, reproduced or disclosed without the expressed prior written consent of Xandex, Inc.

REVISIONS

REV	DESCRIPTION	ECO	BY	DATE	APPROVED
B	SEE SHEET 1				




 1125 N. McDOWELL BLVD.
 PETALUMA, CA 95954
 (707) 763 7799

TITLE INKER SERIES 3000, REMOTE ADJUST ELECTRIC			
SIZE A	FSCM NO	DWG NO 900-0139	REV B
SCALE 1/2	FILE NAME 9000139B	SHEET 2	OF 2