
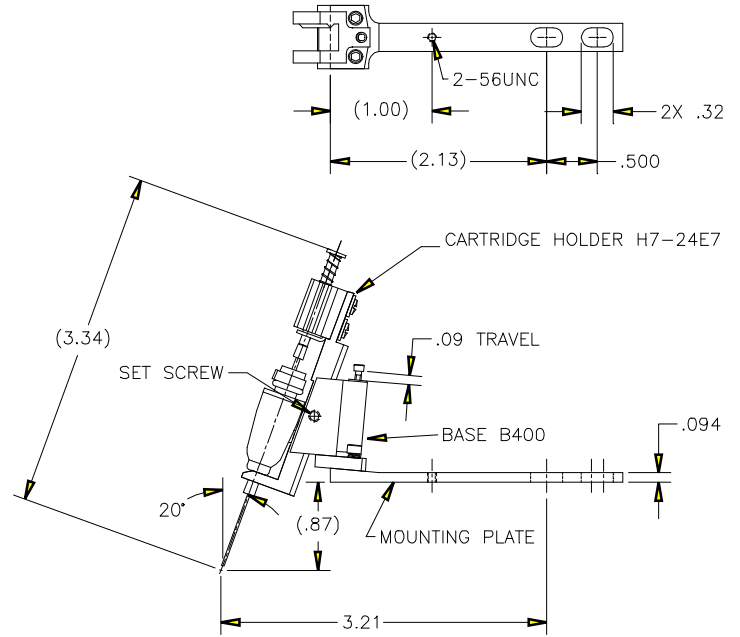



©Copyright Xandex Inc., All Rights Reserved. The information disclosed herein is deemed to be confidential, proprietary, and a trade secret of Xandex, Inc. This information may not be used, reproduced or disclosed without the express prior written consent of Xandex, Inc.					
REVISIONS					
REV	DESCRIPTION	CHANGE NUMBER	BY	DATE	APPROVED
B	REDRAWN ON CADD	1579	JMc	12/24/97	

- FOR ADVANTEST 3340 AND 3342 WITH ALL PROBERS, OVERHEAD TEST APPLICATION.  
ELECTROGLAS PROBER: INKER MODEL EG405 (KIT #330-0405)  
KLA PROBER: INKER MODEL KLA 405 (KIT #330-1405)
- MOUNTING PLATE IS CONNECTED TO INTERFACE USING TWO
- HEX KEY WRENCHES ARE SUPPLIED WITH THIS UNIT.
- THIS INKER USES THE DM-1 AND DM-1.25 CARTRIDGES ONLY.
- ALL DIMENSIONS SHOWN WITH ADJUSTMENTS IN NEUTRAL
- HOLDER ALLOWS ADJUSTMENT OF "Z" AXIS BY MOVING IN
- COMPONENTS MAY BE ORDERED SEPARATELY: INKER BASE B400 (#320-0400) AND CARTRIDGE HOLDER H7-24E7 (#310-7252).
- FOR 5 MIL CARTRIDGES, RETROFIT CARTRIDGE HOLDER USING PLUNGER STOP ASSEMBLY #210-0016.

FILE NAME	9000104B	ITEM	QTY	PART NUMBER	DESCRIPTION
APPROVALS	DATE	INTERPRET DRAWING PER ANSI Y14.5 - 1982		 1125 N. McDOWELL BLVD. PETALUMA, CA 95954 (707) 763 7799	TITLE <b>INKER MODEL 405</b>
DRAWN	11/26/97	TOLERANCES UNLESS OTHERWISE SPECIFIED			
CHECKED		DIMENSIONS ARE IN INCHES		DO NOT SCALE DRAWING	
ENG		DECIMALS		SIZE	SCALE
ENGR		1 PL ± FRACTIONS ±		A	1/1
ENGR		2 PL ±.010 ANGLES ±1°		SHEET	DRAWING NUMBER
		3 PL ±.005 63° ALL SURFACES		1 OF 2	900-0104
		4 PL ±		REV	B

©Copyright Xandex Inc., All Rights Reserved. The information disclosed herein is deemed to be confidential, proprietary, and a trade secret of Xandex, Inc. This information may not be used, reproduced or disclosed without the express prior written consent of Xandex, Inc.					
REVISIONS					
REV	DESCRIPTION	CHANGE NUMBER	BY	DATE	APPROVED
-	SEE SHEET 1				



		TITLE <b>INKER MODEL 405</b>	
1125 N. McDOWELL BLVD. PETALUMA, CA 95954 (707) 763 7799		FILE NAME	9000104B
DO NOT SCALE DRAWING		SIZE	A
DO NOT SCALE DRAWING		SCALE	1/1
DO NOT SCALE DRAWING		SHEET	2 OF 2
DO NOT SCALE DRAWING		DRAWING NUMBER	900-0104
DO NOT SCALE DRAWING		REV	B