

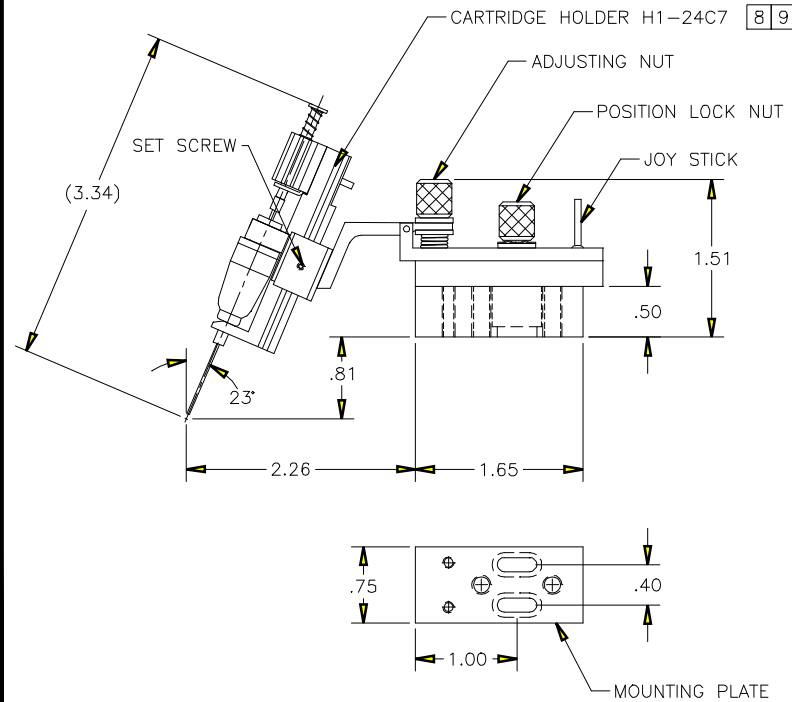
REVISIONS					
REV	DESCRIPTION	CHANGE NUMBER	BY	DATE	APPROVED
B	REDRAWN ON CADD	1409	TR	02/03/97	

NOTES:

- FOR USE WITH TEL OR KLA 1000 SERIES PROBERS, CABLED PROBING APPLICATION.
 - MOUNTING PLATE IS CONNECTED TO PROBER USING TWO M3-.5 X 6MM PAN HD. SCREWS.
 - THIS INKER USES THE DM-1 AND DM-1.25 CARTRIDGES ONLY.
 - THE SWIVEL ARM IS ADJUSTABLE ALONG THE "Z" AXIS BY ±.187.
 - THE JOY STICK PROVIDES "X" AND "Y" AXIS MOVEMENT AT THE TIP OF THE CARTRIDGE NEEDLE.
 - ALL DIMENSIONS SHOWN WITH ADJUSTMENTS IN NEUTRAL POSITION.
 - HOLDER ALLOWS ADDITIONAL ADJUSTMENT OF "Z" AXIS BY MOVING SLIDE BRACKET.
- [8] COMPONENTS MAY BE ORDERED SEPARATELY: INKER BASE 303 (#320-0303) AND CARTRIDGE HOLDER H1-24C7 (#310-1232). OR FOR 5 MIL CARTRIDGES USE HOLDER H2-24G7 (#310-2232).
- [9] FOR 5 MIL CARTRIDGES, RETROFIT CARTRIDGE HOLDER USING PLUNGER STOP ASSEMBLY #210-0016.

FILE NAME 9000099B	ITEM	QTY	PART NUMBER	DESCRIPTION
APPROVALS	DATE	INTERPRET DRAWING PER ANSI Y14.5 - 1982		
DRAWN T. RUFF	02/03/97	1125 N. McDOWELL BLVD. PETALUMA, CA 95954 (707) 763 7799		
CHECKED		TOLERANCES UNLESS OTHERWISE SPECIFIED		
ENGRG DAVE T.	2/3/97	DIMENSIONS ARE IN INCHES		
ENGRG		DECIMALS		
NEXT ASSEMBLIES.....USED ON		1 PL ± FRACTIONS ±		
		2 PL ±.010 ANGLES ±1°		
		3 PL ±.005 63° ALL SURFACES		
		4 PL ±		
DO NOT SCALE DRAWING				
SIZE A	SCALE 1/1	SHEET 1 of 2	DRAWING NUMBER 900-0099	REV B

REVISIONS					
REV	DESCRIPTION	CHANGE NUMBER	BY	DATE	APPROVED
-	SEE SHEET 1				



XANDEX INC.		TITLE INKER MODEL KLA 303 (KIT #330-1303)			
1125 N. McDOWELL BLVD. PETALUMA, CA 95954 (707) 763 7799		FILE NAME 9000099B	DO NOT SCALE DRAWING		
SIZE A	SCALE 1/1	SHEET 2 of 2	DRAWING NUMBER 900-0099	REV B	