

©Copyright Xandex Inc., All Rights Reserved.
The information disclosed herein is deemed to be confidential, proprietary, and a trade secret of Xandex, Inc. This information may not be used, reproduced or disclosed without the express prior written consent of Xandex, Inc.

REVISIONS					
REV	DESCRIPTION	CHANGE NUMBER	BY	DATE	APPROVED
B	REDRAWN ON CADD	1406	TR	01/21/97	D.T.
C	ADD NOTE 9	1589	JMc	12/02/97	D.T.
D	FLIP VIEW-MTG PLATE	1677	DY	06/25/98	D.T.
E	REVISE NOTE 1	D126	MD	03/09/99	

NOTES:

- FOR USE WITH PACIFIC WESTERN SYSTEMS PROBERS.
- MOUNTING PLATE IS CONNECTED TO INTERFACE USING TWO 6-32 X 1/4 PAN HD SLOT SCREWS.
- THIS INKER USES THE DM-1 AND DM-1.25 CARTRIDGES ONLY.
- INKER ARM IS ADJUSTABLE ALONG THE "Z" AXIS BY ±.187.
- THE JOY STICK PROVIDES X AND Y AXIS MOVEMENT AT THE TIP OF THE CARTRIDGE NEEDLE.
- ALL DIMENSIONS SHOWN WITH ADJUSTMENTS IN NEUTRAL POSITION.
- HOLDER ALLOWS ADDITIONAL ADJUSTMENT OF "Z" AXIS BY MOVING SLIDE BRACKET.
- COMPONENTS MAY BE ORDERED SEPARATELY: INKER BASE 302 (#320-0302) AND CARTRIDGE HOLDER H1-24A7 (#310-1212). FOR 5 MIL CARTRIDGES USE HOLDER H2-24A7 (#310-2212).
- FOR 5 MIL CARTRIDGES, RETROFIT CARTRIDGE HOLDER USING PLUNGER STOP ASSEMBLY #210-0016.

FILE NAME	9000098E	ITEM	QTY	PART NUMBER	DESCRIPTION
APPROVALS	DATE	INTERPRET DRAWING PER ANSI Y14.5 - 1982			
DRAWN	T. RUFF	TOLERANCES UNLESS OTHERWISE SPECIFIED			
CHECKED		TITLE: INKER MODEL PWS302 (KIT #330-2302)			
ENGRG	DAVE T.	DIMENSIONS ARE IN INCHES			
DATE	2/5/97	DECIMALS			
NEXT ASSEMBLIES.....USED ON					
1 PL ±		FRACTIONS ±			
2 PL ±.010		ANGLES ±1°			
3 PL ±.005		63/√ ALL SURFACES			
4 PL ±					

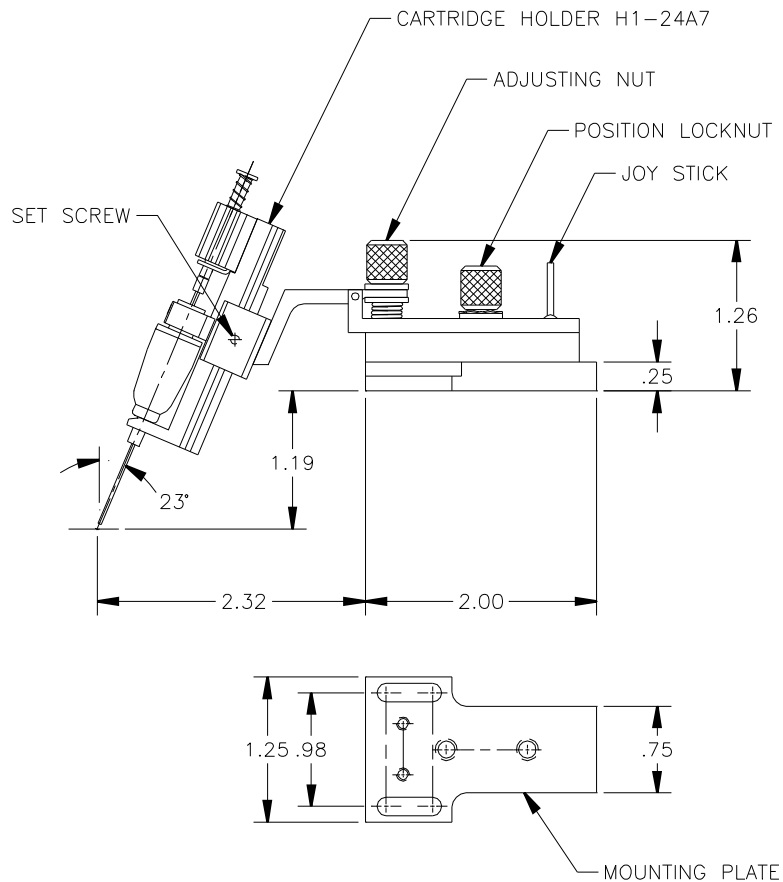
XANDEX INC.
1125 N. McDOWELL BLVD.
PETALUMA, CA 94954
(707) 763 7799

DO NOT SCALE DRAWING

SIZE	SCALE	SHEET	DRAWING NUMBER	REV
A	1/1	1 of 2	900-0098	E

©Copyright Xandex Inc., All Rights Reserved.
The information disclosed herein is deemed to be confidential, proprietary, and a trade secret of Xandex, Inc. This information may not be used, reproduced or disclosed without the express prior written consent of Xandex, Inc.

REVISIONS					
REV	DESCRIPTION	CHANGE NUMBER	BY	DATE	APPROVED
-	SEE SHEET 1				



XANDEX INC.
1125 N. McDOWELL BLVD.
PETALUMA, CA 94954
(707) 763 7799

TITLE: INKER MODEL PWS302 (KIT #330-2302)					
FILE NAME	9000098E	DO NOT SCALE DRAWING			
SIZE	SCALE	SHEET	DRAWING NUMBER	REV	
A	1/1	2 of 2	900-0098	E	