

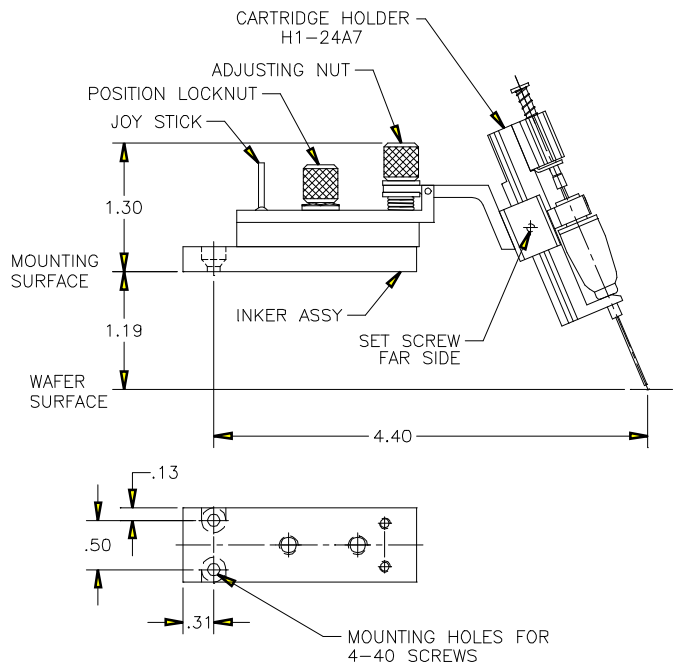
REVISIONS					
REV	DESCRIPTION	CHANGE NUMBER	BY	DATE	APPROVED
C	REDRAW ON ACAD	1106	HG	2/7/96	D.T.
D	ADD NOTE 9.	1589	JMc	12/01/97	

NOTES:

- FOR USE WITH ELECTROGLAS PROBER MODELS 10XX, 20XX, AND 30XX. CABLED PROBING APPLICATION.
- MOUNTING PLATE IS CONNECTED TO INTERFACE USING TWO 4-40 X 5/16 FHP SCREWS.
- THIS INKER USES THE DM-1 AND DM-1.25 CARTRIDGES ONLY.
- INKER ARM IS ADJUSTABLE ALONG THE Z AXIS BY ±.187.
- THE JOY STICK PROVIDES X AND Y AXIS MOVEMENT AT THE TIP OF THE CARTRIDGE NEEDLE.
- ALL DIMENSIONS SHOWN WITH ADJUSTMENTS IN NEUTRAL POSITION.
- HOLDER ALLOWS ADDITIONAL ADJUSTMENT OF Z AXIS BY MOVING SLIDE BRACKET.
- COMPONENTS MAY BE ORDERED SEPARATELY: INKER BASE 301 (#320-0301) AND CARTRIDGE HOLDER H1-24A7 (#310-1212). FOR 5 MIL CARTRIDGES USE HOLDER H2-24A7 (#310-2212).
- FOR 5 MIL CARTRIDGES, RETROFIT CARTRIDGE HOLDER USING PLUNGER STOP ASSEMBLY #210-0016.

FILE NAME	9000097D	ITEM	QTY	PART NUMBER	DESCRIPTION
APPROVALS	DATE	INTERPRET DRAWING			
DRAWN HOLLY G.	2/7/96	PER ANSI Y14.5 - 1982			
CHECKED		TOLERANCES			
DATE		UNLESS OTHERWISE SPECIFIED			
ENGR. DAVE T.	3/21/96	DIMENSIONS ARE IN INCHES			
ENGR.		DECIMALS			
ENGR.		DO NOT SCALE DRAWING			
ENGR.		SIZE	SCALE	SHEET	DRAWING NUMBER
ENGR.		A	1/1	1 of 2	900-0097
ENGR.					REV D

REVISIONS					
REV	DESCRIPTION	CHANGE NUMBER	BY	DATE	APPROVED
-	SEE SHEET 1				



XANDEX INC.		1125 N. McDOWELL BLVD. PETALUMA, CA 94954 (707) 763 7799			
TITLE		INKER MODEL EG301 (KIT #330-0301)			
FILE NAME	9000097D	DO NOT SCALE DRAWING			
SIZE	SCALE	SHEET	DRAWING NUMBER	REV	
A	1/1	2 of 2	900-0097	D	