

REVISIONS					
REV	DESCRIPTION	CHANGE NUMBER	BY	DATE	APPROVED
B	REDRAWN ON CADD	1406	TR	01/21/97	D.T.
C	ADD NOTE 9.	1574	JMc	11/25/97	

NOTES:

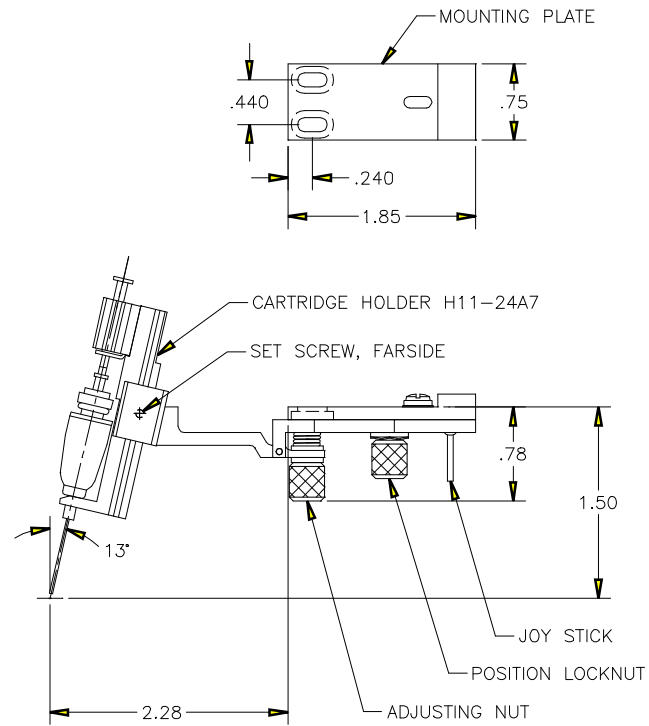
- FOR USE WITH ELECTROGLAS PROBER MODELS 10XX, 20XX, AND 30XX. OVERHEAD TEST APPLICATION WITH SENTRY 7, 8, 10, 20, AND, 21 MODEL TESTERS.
- MOUNTING PLATE IS CONNECTED TO PROBER USING TWO #4-40 X 5/16 PAN HD. SCREWS (NOT SUPPLIED).
- THIS INKER USES THE DM-1 AND DM-1.25 CARTRIDGES ONLY.
- THE SWIVEL ARM IS ADJUSTABLE ALONG THE "Z" AXIS BY +4° AND -10°.
- THE JOY STICK PROVIDES FORE/AFT AND SIDE TO SIDE MOVEMENT AT THE TIP OF THE CARTRIDGE NEEDLE.
- ALL DIMENSIONS SHOWN WITH ADJUSTMENTS IN NEUTRAL POSITION.
- HOLDER ALLOWS ADDITIONAL ADJUSTMENT OF Z AXIS BY MOVING SLIDE BRACKET.
- COMPONENTS MAY BE ORDERED SEPARATELY: INKER BASE 201 (#320-0201) AND CARTRIDGE HOLDER H11-24A7 (#314-0002). FOR 5 MIL CARTRIDGES USE HOLDER H2-24A7 (#310-2212).
- FOR 5 MIL CARTRIDGES, RETROFIT CARTRIDGE HOLDER USING PLUNGER STOP RETROFIT KIT #210-0016.

FILE NAME 9000096C	ITEM	QTY	PART NUMBER	DESCRIPTION
APPROVALS	DATE	INTERPRET DRAWING PER ANSI Y14.5 - 1982		
DRAWN T. RUFF	01/21/97	TOLERANCES UNLESS OTHERWISE SPECIFIED		
CHECKED		DIMENSIONS ARE IN INCHES		
ENGRG DAVE T.	2/5/97	DECIMALS		
ENGRG		FRACTIONS ±		
NEXT ASSEMBLIES.....USED ON		1 PL ±		
		2 PL ± .010 ANGLES ± 1°		
		3 PL ± .005 63/ ALL SURFACES		
		4 PL ±		
DO NOT SCALE DRAWING				
SIZE	SCALE	SHEET	DRAWING NUMBER	REV
A	1/1	1 of 2	900-0096	C



TITLE
INKER MODEL EG201
(KIT #330-0201)

REVISIONS					
REV	DESCRIPTION	CHANGE NUMBER	BY	DATE	APPROVED
-	SEE SHEET 1				



1125 N. McDOWELL BLVD.
PETALUMA, CA 94954
(707) 763 7799

TITLE
INKER MODEL EG201
(KIT #330-0201)

FILE NAME 9000096C	DO NOT SCALE DRAWING		
SIZE	SCALE	SHEET	DRAWING NUMBER
A	1/1	2 of 2	900-0096
			REV C