


©Copyright Xandex Inc. All Rights Reserved.
The information disclosed herein is deemed to be confidential, proprietary, and a trade secret of Xandex, Inc. This information may not be used, reproduced or disclosed without the express prior written consent of Xandex, Inc.

REVISIONS					
REV	DESCRIPTION	CHANGE NUMBER	BY	DATE	APPROVED
B	REDRAW ON ACAD	1058	HG	12/08/95	DT
C	ADD NOTE 9	1568	JMc	10/17/97	

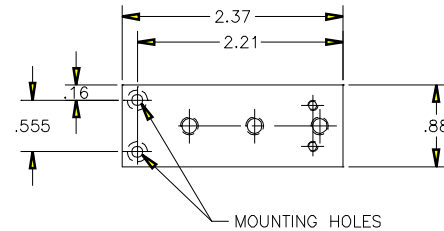
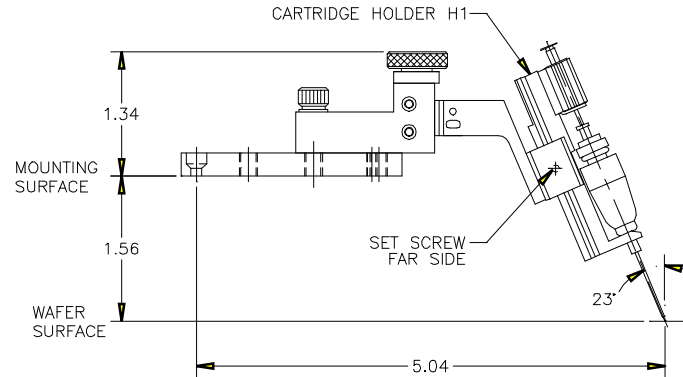
NOTES:

- FOR USE WITH TOKYO SEIMITSU PROBER MODELS 30XX, 50XX, 60XX, AND 70XX. CABLED PROBING APPLICATION.
- MOUNTING PLATE IS CONNECTED TO PROBER USING TWO #4-40 X 1/4 FLAT HD SCREWS.
- THIS INKER USES THE DM-1 AND DM-1.25 CARTRIDGES ONLY.
- INKER ARM IS ADJUSTABLE ALONG THE "Z" AXIS BY $\pm .187$.
- THE MOUNTING ARM ANGLE OF APPROACH CAN BE ADJUSTED $\pm 10^\circ$.
- ALL DIMENSIONS SHOWN WITH ADJUSTMENTS IN NEUTRAL POSITION.
- HOLDER ALLOWS ADDITIONAL ADJUSTMENT OF "Z" AXIS BY MOVING SLIDE BRACKET.
- COMPONENTS MAY BE ORDERED SEPARATELY: INKER BASE 104 (#320-0104) AND CARTRIDGE HOLDER H1-24Z7 (#310-1292). FOR 5 MIL CARTRIDGES USE HOLDER H2-24Z7 (#310-2292).
- FOR 5 MIL CARTRIDGES, RETROFIT CARTRIDGE HOLDER USING PLUNGER STOP ASSEMBLY #210-0016.

FILE NAME 9000092C	ITEM QTY PART NUMBER	DESCRIPTION
APPROVALS DATE INTERPRET DRAWING HOLLY G. 10/23/95 PER ANSI Y14.5 - 1982	 1125 N. McDOWELL BLVD. PETALUMA, CA 95954 (707) 763 7799	
TOLERANCES UNLESS OTHERWISE SPECIFIED DIMENSIONS ARE IN INCHES		
ENGINEER DATE DAVE T. 4/8/96	TITLE INKER MODEL TSK 104 (KIT #330-3104)	
NEXT ASSEMBLIES.....USED ON	DO NOT SCALE DRAWING	
1 PL ± FRACTIONS ± 2 PL ± ANGLES ± 3 PL ± 4 PL ± ✓ ALL SURFACES	SIZE SCALE SHEET DRAWING NUMBER REV A 1/1 1 of 2 900-0092 C	

©Copyright Xandex Inc. All Rights Reserved.
The information disclosed herein is deemed to be confidential, proprietary, and a trade secret of Xandex, Inc. This information may not be used, reproduced or disclosed without the express prior written consent of Xandex, Inc.

REVISIONS					
REV	DESCRIPTION	CHANGE NUMBER	BY	DATE	APPROVED
-	SEE SHEET 1				



		TITLE INKER MODEL (KIT #330-3104)	
1125 N. McDOWELL BLVD. PETALUMA, CA 95954 (707) 763 7799		FILE NAME 9000092B	DO NOT SCALE DRAWING
SIZE SCALE SHEET DRAWING NUMBER REV A 1/1 2 of 2 900-0092 C			