


©Copyright Xandex Inc. All Rights Reserved.  
The information disclosed herein is deemed to be confidential, proprietary, and a trade secret of Xandex, Inc. This information may not be used, reproduced or disclosed without the express prior written consent of Xandex, Inc.

REVISIONS

REV	DESCRIPTION	CHANGE NUMBER	BY	DATE	APPROVED
B	REDRAW ON ACAD	1058	HG	12/01/95	DT
C	REVISE NOTE 8	1210	MD	05/21/96	DT
D	ADD NOTE 9	1568	JMc	10/17/97	

NOTES:

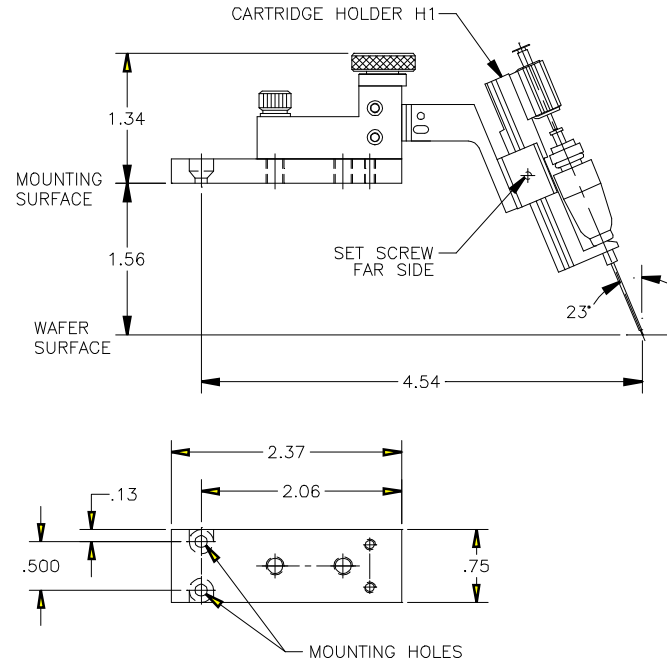
- FOR USE WITH ELECTROGLAS PROBER MODELS 10XX, 20XX, AND 30XX. CABLED PROBING APPLICATION.
- MOUNTING PLATE IS CONNECTED TO PROBER USING TWO #4-40 X 1/4 FLAT HD. SCREWS (NOT SUPPLIED).
- THIS INKER USES THE DM-1 AND DM-1.25 CARTRIDGES ONLY.
- INKER ARM IS ADJUSTABLE ALONG THE "Z" AXIS BY ±.187.
- THE MOUNTING ARM ANGLE OF APPROACH CAN BE ADJUSTED ±10°.
- ALL DIMENSIONS SHOWN WITH ADJUSTMENTS IN NEUTRAL POSITION.
- HOLDER ALLOWS ADDITIONAL ADJUSTMENT OF "Z" AXIS BY MOVING SLIDE BRACKET.
- COMPONENTS MAY BE ORDERED SEPARATELY: INKER BASE 101 (#320-0101). EG101 USES CARTRIDGE HOLDER H1-24A7 (#310-1212) AND FOR 5 MIL CARTRIDGES USE HOLDER H2-24A7 (#310-2212). NI101 USES CARTRIDGE HOLDER H1-12A7 (#310-1112) OR FOR 5 MIL CARTRIDGES USE HOLDER H2-12A7 (#310-2112).
- FOR 5 MIL CARTRIDGES, RETROFIT CARTRIDGE HOLDER USING PLUNGER STOP ASSEMBLY #210-0016.

FILE NAME 9000089D	ITEM QTY PART NUMBER	DESCRIPTION
APPROVALS DATE	INTERPRET DRAWING	 1125 N. McDOWELL BLVD. PETALUMA, CA 94954 (707) 763 7799
DRAWN HOLLY G. 10/23/95	PER ANSI Y14.5 - 1982	
CHECKED	TOLERANCES	TITLE INKER MODEL EG101/NI101 (KIT 330-0101, 330-9401)
UNLESS OTHERWISE SPECIFIED	DIMENSIONS ARE IN INCHES	
ENGRG DAVE T. 12/01/95	DECIMALS	DO NOT SCALE DRAWING
DRG	1 PL ± FRACTIONS ±	SIZE SCALE SHEET DRAWING NUMBER REV
DRG	2 PL ± ANGLES ±	A 1/1 1 of 2 900-0089 D
NEXT ASSEMBLIES.....USED ON	3 PL ±	
	4 PL ± ALL SURFACES	

©Copyright Xandex Inc. All Rights Reserved.  
The information disclosed herein is deemed to be confidential, proprietary, and a trade secret of Xandex, Inc. This information may not be used, reproduced or disclosed without the express prior written consent of Xandex, Inc.

REVISIONS

REV	DESCRIPTION	CHANGE NUMBER	BY	DATE	APPROVED
-	SEE SHEET 1				



		TITLE INKER MODEL EG101/NI101 (KIT 330-0101, 330-9401)	
1125 N. McDOWELL BLVD. PETALUMA, CA 95954 (707) 763 7799		FILE NAME 9000089D	DO NOT SCALE DRAWING
SIZE	SCALE	SHEET	DRAWING NUMBER
A	1/1	2 of 2	900-0089
			REV D