


©Copyright 1995, Xandex Inc., All Rights Reserved. The information disclosed herein is deemed to be confidential, proprietary, and a trade secret of Xandex, Inc. This information may not be used, reproduced or disclosed without the express prior written consent of Xandex, Inc.

REVISIONS

REV	DESCRIPTION	ECO	BY	DATE	APPROVED
B	REDRAWN ON CADD	680	HG	10/20/95	DT
C	SHOW NEW BASE	900	JMc	07/22/96	DT
D	REV TO MAG BASE	1801	RAP	04/30/99	

NOTES:

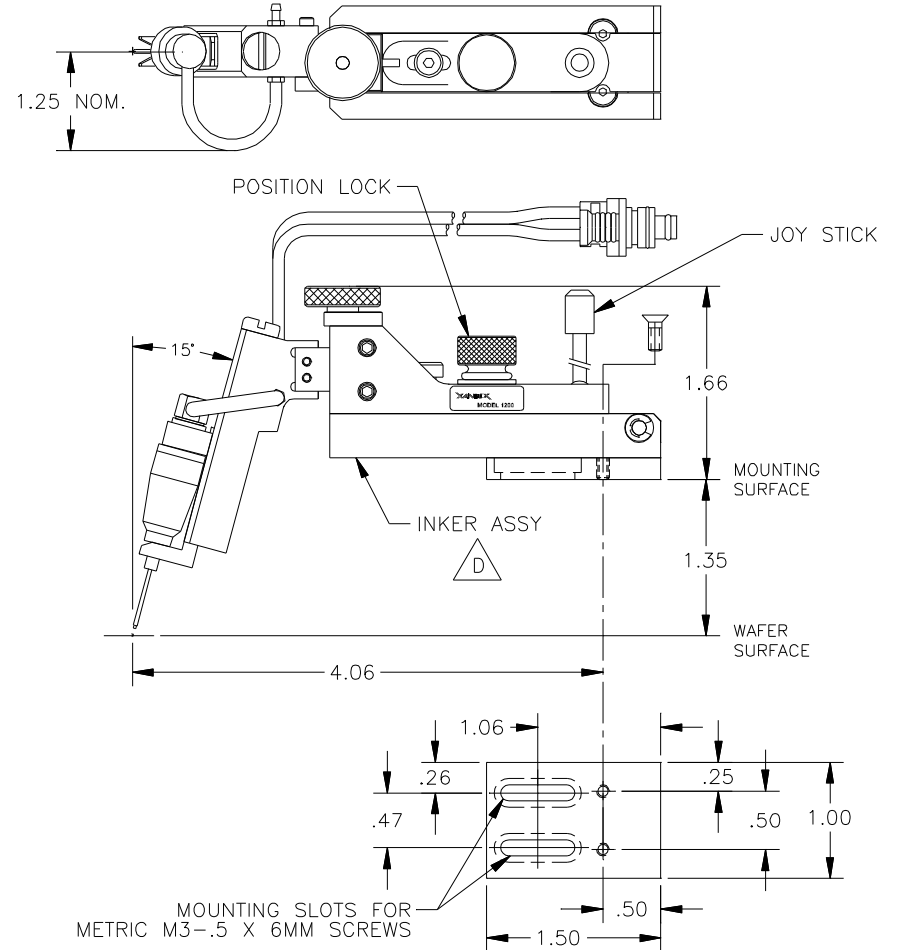
1. INKER FOR KLA OR TEL PROBER, OFF LINE OR CABLED PROBING.
2. THIS INKER USES THE DM-2 CARTRIDGE ONLY.
3. INKER ARM IS ADJUSTABLE ALONG THE "Z" AXIS BY ±.188.
4. JOYSTICK PROVIDES "X" AND "Y" AXIS MOVEMENT AT THE TIP OF THE CARTRIDGE NEEDLE.
5. ALL DIMENSIONS SHOWN WITH ADJUSTMENTS IN NEUTRAL POSITION.
6. INKER MOUNTS TO THE PROBER USING TWO M3 X .5 X 6MM PAN HEAD SLOTTED SCREWS (SUPPLIED).

FILE NAME 9000079D	ITEM QTY PART NUMBER	DESCRIPTION
APPROVALS DATE	INTERPRET DRAWING PER ANSI Y14.5 - 1982	 1125 N. McDOWELL BLVD. PETALUMA, CA 95954 (707) 763 7799
DRAWN JMc 7/22/96	TOLERANCES UNLESS OTHERWISE SPECIFIED	
CHECKED	DIMENSIONS ARE IN INCHES DECIMALS	TITLE PNEUMATIC INKER, X1200 (KIT #340-1200)
ENGRG D. TEGLIA 08/05/96	1 PL ± FRACTIONS ±	DO NOT SCALE DRAWING
DATE ENGRG	2 PL ± ANGLES ±	SIZE SCALE SHEET DRAWING NUMBER REV
NEXT ASSEMBLIES.....USED ON	3 PL ±	A 1/1 1 of 2 900-0079 D
	4 PL ± ALL SURFACES	

©Copyright 1995, Xandex Inc., All Rights Reserved. The information disclosed herein is deemed to be confidential, proprietary, and a trade secret of Xandex, Inc. This information may not be used, reproduced or disclosed without the express prior written consent of Xandex, Inc.

REVISIONS

REV	DESCRIPTION	ECO	BY	DATE	APPROVED
-	SEE SHEET 1	-	-	-	-



1125 N. McDOWELL BLVD.
 PETALUMA, CA 95954
 (707) 763 7799

TITLE
 PNEUMATIC INKER, X1200
 (KIT #340-1200)

FILE NAME 9000079D	DO NOT SCALE DRAWING			
SIZE SCALE SHEET	DRAWING NUMBER REV			
A 1/1 2 of 2	900-0079 D			