

©Copyright Xandex Inc., All Rights Reserved.  
The information disclosed herein is deemed to be confidential, proprietary, and a trade secret of Xandex, Inc. This information may not be used, reproduced or disclosed without the express prior written consent of Xandex, Inc.

REVISIONS

REV	DESCRIPTION	ECO	BY	DATE	APPROVED
B	INITIAL RELEASE	680	HG	10/20/95	DT
C	ADD HOSE LENGTH	1087	HG	1/11/96	DT
D	4.25 WAS 4.01; REVISED NOTE 7.	1206	MD	05/20/96	DT
E	CHANGE TO NEW BASE	900	JMc	07/19/96	DT
F	CHG TO MAG BASE	1801	RAF	04/30/99	

NOTES:

1. INKER FOR ELECTROGLAS PROBER, OFF LINE OR CABLED PROBING.
2. THIS INKER USES THE DM-2 CARTRIDGE ONLY.
3. INKER ARM IS ADJUSTABLE ALONG THE "Z" AXIS BY ±.188.
4. JOYSTICK PROVIDES "X" AND "Y" AXIS MOVEMENT AT THE TIP OF THE CARTRIDGE NEEDLE.
5. ALL DIMENSIONS SHOWN WITH ADJUSTMENTS IN NEUTRAL POSITION.
6. INKER MOUNTS TO THE PROBER USING (2) 4-40 X 5/16 FLAT HEAD SCREWS (SUPPLIED).
7. ORDER KIT NUMBER 340-1100, OR ORDER KIT NUMBER 340-1101 (INCLUDES CONTROLLER RACKMOUNT FOR EG 20XX PROBERS).

FILE NAME	9000076F	ITEM	QTY	PART NUMBER	DESCRIPTION
APPROVALS		DATE		INTERPRET DRAWING	
DRAWN	JMc.	7/19/96		PER ANSI Y14.5 - 1982	
CHECKED				TOLERANCES	
D.C.				UNLESS OTHERWISE SPECIFIED	
ENGRG	D. TEGLIA	08/05/96		DIMENSIONS ARE IN INCHES	
MFG ENGRG				DECIMALS	
NEXT ASSEMBLIES.....USED ON	340-1100			1 PL ±	FRACTIONS ±
	340-1101			2 PL ±	ANGLES ±
				3 PL ±	
				4 PL ±	✓ ALL SURFACES

**XANDEX INC.**  
1125 N. McDOWELL BLVD.  
PETALUMA, CA 95954  
(707) 763 7799

TITLE PNEUMATIC INKER,  
X1100/X1101

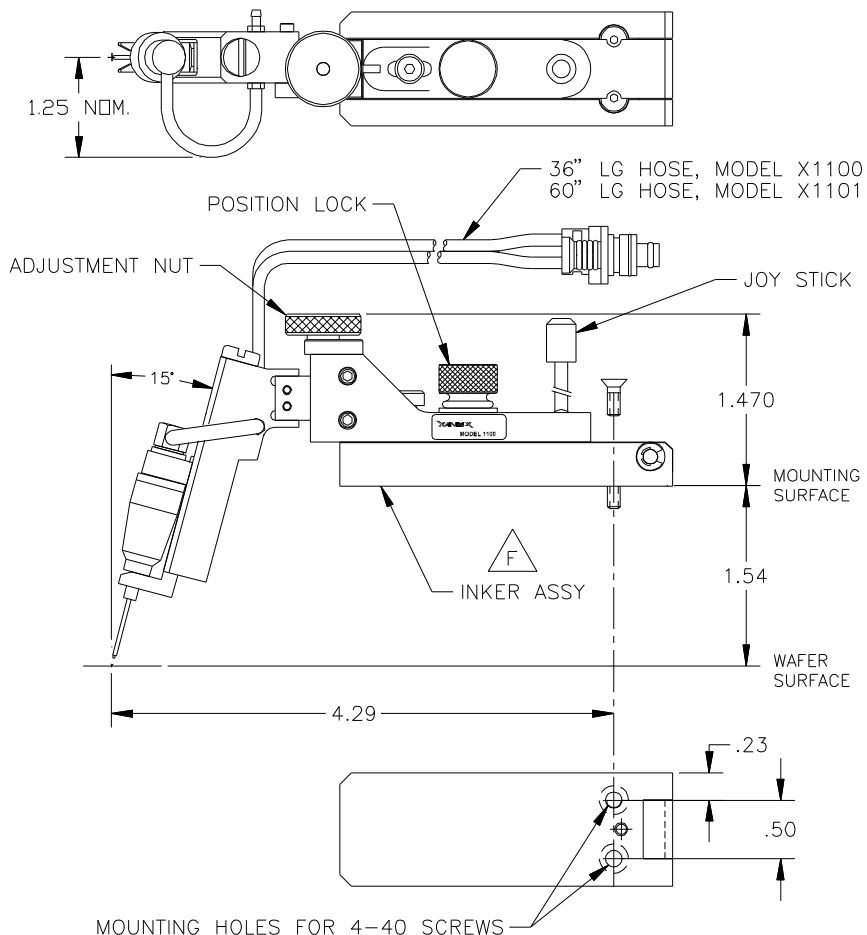
DO NOT SCALE DRAWING

SIZE	SCALE	SHEET	DRAWING NUMBER	REV
A	1/1	1 of 2	900-0076	F

©Copyright Xandex Inc., All Rights Reserved.  
The information disclosed herein is deemed to be confidential, proprietary, and a trade secret of Xandex, Inc. This information may not be used, reproduced or disclosed without the express prior written consent of Xandex, Inc.

REVISIONS

REV	DESCRIPTION	ECO	BY	DATE	APPROVED
-	SEE SHEET 1	-	-	-	-



**XANDEX INC.**  
1125 N. McDOWELL BLVD.  
PETALUMA, CA 95954  
(707) 763 7799

TITLE PNEUMATIC INKER,  
X1100/X1101

FILE NAME	9000076F	DO NOT SCALE DRAWING		
SIZE	SCALE	SHEET	DRAWING NUMBER	REV
A	1/1	2 of 2	900-0076	F